

This Page Is Inserted by IFW Operations
and is not a part of the Official Record

BEST AVAILABLE IMAGES

Defective images within this document are accurate representations of the original documents submitted by the applicant.

Defects in the images may include (but are not limited to):

- BLACK BORDERS
- TEXT CUT OFF AT TOP, BOTTOM OR SIDES
- FADED TEXT
- ILLEGIBLE TEXT
- SKEWED/SLANTED IMAGES
- COLORED PHOTOS
- BLACK OR VERY BLACK AND WHITE DARK PHOTOS
- GRAY SCALE DOCUMENTS

IMAGES ARE BEST AVAILABLE COPY.

**As rescanning documents *will not* correct images,
please do not report the images to the
Image Problems Mailbox.**

THIS PAGE BLANK (USPTO)

PACT COOPERATION TREATY

PCT

NOTIFICATION OF ELECTION

(PCT Rule 61.2)

From the INTERNATIONAL BUREAU

To:

Commissioner
 US Department of Commerce
 United States Patent and Trademark
 Office, PCT
 2011 South Clark Place Room
 CP2/5C24
 Arlington, VA 22202
 ETATS-UNIS D'AMERIQUE
 in its capacity as elected Office

Date of mailing (day/month/year) 05 January 2001 (05.01.01)	
International application No. PCT/JP00/03493	Applicant's or agent's file reference P-35105
International filing date (day/month/year) 31 May 2000 (31.05.00)	Priority date (day/month/year) 31 May 1999 (31.05.99)
Applicant OSAWA, Sadao et al	

1. The designated Office is hereby notified of its election made:

in the demand filed with the International Preliminary Examining Authority on:

 21 November 2000 (21.11.00)

in a notice effecting later election filed with the International Bureau on:

2. The election was

was not

made before the expiration of 19 months from the priority date or, where Rule 32 applies, within the time limit under Rule 32.2(b).

The International Bureau of WIPO 34, chemin des Colombettes 1211 Geneva 20, Switzerland	Authorized officer R. Forax
Facsimile No.: (41-22) 740.14.35	Telephone No.: (41-22) 338.83.38

THIS PAGE BLANK (USPTO)

091980112 (5310)

ST

PATENT COOPERATION TREATY

PCT

INTERNATIONAL PRELIMINARY EXAMINATION REPORT

(PCT Article 36 and Rule 70)

RECEIVED
FEB 14 2002
TC 2800 MAIL ROOM

Translation

Applicant's or agent's file reference P-35105	FOR FURTHER ACTION See Notification of Transmittal of International Preliminary Examination Report (Form PCT/IPEA/416)	
International application No. PCT/JP00/03493	International filing date (day/month/year) 31 May 2000 (31.05.00)	Priority date (day/month/year) 31 May 1999 (31.05.99)
International Patent Classification (IPC) or national classification and IPC B41C 1/10, B41J 2/06		
Applicant FUJI PHOTO FILM CO., LTD.		

1. This international preliminary examination report has been prepared by this International Preliminary Examining Authority and is transmitted to the applicant according to Article 36.

2. This REPORT consists of a total of 12 sheets, including this cover sheet.

This report is also accompanied by ANNEXES, i.e., sheets of the description, claims and/or drawings which have been amended and are the basis for this report and/or sheets containing rectifications made before this Authority (see Rule 70.16 and Section 607 of the Administrative Instructions under the PCT).

These annexes consist of a total of _____ sheets.

3. This report contains indications relating to the following items:

- I Basis of the report
- II Priority
- III Non-establishment of opinion with regard to novelty, inventive step and industrial applicability
- IV Lack of unity of invention
- V Reasoned statement under Article 35(2) with regard to novelty, inventive step or industrial applicability; citations and explanations supporting such statement
- VI Certain documents cited
- VII Certain defects in the international application
- VIII Certain observations on the international application

Date of submission of the demand 21 November 2000 (21.11.00)	Date of completion of this report 07 August 2001 (07.08.2001)
Name and mailing address of the IPEA/JP	Authorized officer
Facsimile No.	Telephone No.

THIS PAGE BLANK (USPTO)

THIS PAGE BLANK (USPTO)

INTERNATIONAL PRELIMINARY EXAMINATION REPORT

International application No.

PCT/JP00/03493

I. Basis of the report

1. With regard to the elements of the international application:*

- the international application as originally filed
- the description:
 - pages _____, as originally filed
 - pages _____, filed with the demand
 - pages _____, filed with the letter of _____
- the claims:
 - pages _____, as originally filed
 - pages _____, as amended (together with any statement under Article 19
 - pages _____, filed with the demand
 - pages _____, filed with the letter of _____
- the drawings:
 - pages _____, as originally filed
 - pages _____, filed with the demand
 - pages _____, filed with the letter of _____
- the sequence listing part of the description:
 - pages _____, as originally filed
 - pages _____, filed with the demand
 - pages _____, filed with the letter of _____

2. With regard to the language, all the elements marked above were available or furnished to this Authority in the language in which the international application was filed, unless otherwise indicated under this item.

- These elements were available or furnished to this Authority in the following language _____ which is:
- the language of a translation furnished for the purposes of international search (under Rule 23.1(b)).
 - the language of publication of the international application (under Rule 48.3(b)).
 - the language of the translation furnished for the purposes of international preliminary examination (under Rule 55.2 and/or 55.3).

3. With regard to any nucleotide and/or amino acid sequence disclosed in the international application, the international preliminary examination was carried out on the basis of the sequence listing:

- contained in the international application in written form.
- filed together with the international application in computer readable form.
- furnished subsequently to this Authority in written form.
- furnished subsequently to this Authority in computer readable form.
- The statement that the subsequently furnished written sequence listing does not go beyond the disclosure in the international application as filed has been furnished.
- The statement that the information recorded in computer readable form is identical to the written sequence listing has been furnished.

4. The amendments have resulted in the cancellation of:

- the description, pages _____
- the claims, Nos. _____
- the drawings, sheets/fig _____

5. This report has been established as if (some of) the amendments had not been made, since they have been considered to go beyond the disclosure as filed, as indicated in the Supplemental Box (Rule 70.2(c)).**

* Replacement sheets which have been furnished to the receiving Office in response to an invitation under Article 14 are referred to in this report as "originally filed" and are not annexed to this report since they do not contain amendments (Rule 70.16 and 70.17).

** Any replacement sheet containing such amendments must be referred to under item 1 and annexed to this report.

THIS PAGE BLANK (USPTO)

INTERNATIONAL PRELIMINARY EXAMINATION REPORT

International application No.
PCT/JP 00/03493

V. Reasoned statement under Article 35(2) with regard to novelty, inventive step or industrial applicability; citations and explanations supporting such statement

1. Statement

Novelty (N)	Claims	1-48	YES
	Claims		NO
Inventive step (IS)	Claims		YES
	Claims	1-48	NO
Industrial applicability (IA)	Claims	1-48	YES
	Claims		NO

2. Citations and explanations

- Document 1: JP, 4-43036, A (Sumitomo Heavy Industries, Ltd.), February 13, 1992 (13.02.92), page 2, upper right column, line 2 to same page, lower right column, line 9; Fig. 2, (Family: none)
- Document 2: JP, 10-202822, A (Fuji Photo Film Co., Ltd.), August 4, 1998 (04.08.98), paragraphs [0095] and [0128]; Fig. 1 to 3, (Family: none)
- Document 3: JP, 4-69245, A (Konica Corporation), March 4, 1992 (04.03.92), page 1, lower left column, lines 5 to 11, (Family: none)
- Document 4: JP, 3-241361, A (Konica Corporation), October 28, 1991 (28.10.91), page 2, upper right column, line 11 to same page lower left column, line 10; Fig. 1, (Family: none)
- Document 5: EP, 847859, A2 (NEC Corporation), June 17, 1998 (17.06.98), column 10, lines 46 to 56; Fig. 14 to 18 & JP, 10-166590, A
- Document 6: JP, 60-110458, A (Hitachi, Ltd.), June 15, 1985 (15.06.85), page 2, upper right column, line 14 to same page, lower left column, line 11; Fig. 4, (Family: none)
- Document 7: JP, 4-307258, A (Matsushita Electric

THIS PAGE BLANK (USPTO)

- Industrial Co., Ltd.), October 29, 1992
(29.10.92), column 3, lines 7 to 24; Fig. 1
to 3, (Family: none)
- Document 8: JP, 10-157161, A (Canon Inc.), June 16, 1998
(16.06.98), paragraphs [0038] and [0039];
Fig. 1 to 9, (Family: none)
- Document 9: JP, 3-183555, A (Canon Inc.), August 9, 1991
(09.08.91), page 3, upper left column, line
20 to same page, lower left column, line 15;
Fig. 2, (Family: none)
- Document 10: JP, 2-95862, A (Canon Inc.), April 6, 1990
(06.04.90), page 2, lower right column, line
13 to page 3, upper left column, line 20;
Fig. 1 to 4, (Family: none)
- Document 11: Microfilm of specification and drawings
annexed to the request of Japanese Utility
Model Application No. 2405/1991, (Laid-open
No. 96343/1992), (Mitsubishi Heavy
Industries, Ltd.), August 20, 1992
(20.08.92), entire text; Fig. 1 to 10,
(Family: none)
- Document 12: JP, 5-269958, A (Olympus Optical Co., Ltd.),
October 19, 1993 (19.10.93), paragraphs
[0036] to [0041]; Fig. 5, (Family: none)

Claims 1, 3, 9, 17, 19, 27, 33, 35, and 43

The invention set forth in the above-mentioned claims does not involve an inventive step in the light of Documents 1 and 2 cited in the international search report.

Document 1 discloses an on-press lithographic printing method comprising the steps of mounting a plate (17) on the plate cylinder (11) of the printing press, forming a direct image on the surface of the plate (17) by carrying out the drafting using an ink-jet-method whereby a

THIS PAGE BLANK (USPTO)

lipophilic liquid is jetted out from a jet head (15) having a plurality of discharge channels based on the signals of image data, thus forming a press plate, and plate printing is carried out continually using the press plate in this state, wherein the formation of the image on the plate (17) is carried out using a recording head having discharge channel intervals of 250 μm [approximately 101 dpi converted into the resolution of the drafted image].

Document 2 discloses an ink-jet recording method wherein an oil-based ink is discharged using an electrostatic field.

It would be easy for a person skilled in the art to conceive of applying the method which uses an electrostatic field as disclosed in Document 2 as the ink-jet method in the invention disclosed in Document 1.

Claims 2, 4, 18, 20, 34, and 36

The invention set forth in the above-mentioned claims does not involve an inventive step in the light of Documents 1 and 2 cited in the international search report.

Document 1 discloses an on-press lithographic printing method comprising the steps of mounting a plate (17) on the plate cylinder (11) of the printing press, forming a direct image on the surface of the plate (17) by carrying out the drafting using an ink-jet-method whereby a lipophilic liquid is jetted out from a jet head (15) having a plurality of discharge channels based on the signals of image data thus forming a press plate, and plate printing is carried out continually using the press plate in this state, wherein the formation of the image on the plate (17) is carried out using a recording head having discharge channel intervals of 250 μm

THIS PAGE BLANK (USPTO)

[approximately 101 dpi converted into the resolution of the drafted image].

Document 2 discloses an ink-jet recording method wherein an oil-based ink is discharged using an electrostatic field and wherein the oil-based ink comprises a non-aqueous solvent having an electrical resistance of $10^9 \Omega \text{cm}$ or more and permittivity of 3.5 or less in which resin particles, which are at least solid at room temperature and hydrophobic, are dispersed.

It would be easy for a person skilled in the art to conceive of applying the method which uses an electrostatic field as disclosed in Document 2 as the ink-jet method in the invention disclosed in Document 1 and to apply the ink disclosed in Document 2 as the oil-based ink.

Claims 5, 21 and 37

The invention set forth in the above-mentioned claims does not involve an inventive step in the light of Documents 1 to 3 cited in the international search report.

The fact that applying the method of using an electrostatic field disclosed in Document 2 as the ink-jet method in the invention disclosed in Document 1 does not involve an inventive step is explained in the section referring to Claims 1, 3, 9, 17, 19, 27, 33, 35, and 43.

Moreover, it would be easy for a person skilled in the art to conceive of applying the feature wherein "an ink-jet-type image-forming device is provided with a device which heats the oil-based ink" which is disclosed in Document 3.

Claims 6, 22 and 38

The invention set forth in the above-mentioned claims does not involve an inventive step in the light of

THIS PAGE BLANK (USPTO)

Documents 1, 2 and 4 cited in the international search report.

The fact that applying the method of using an electrostatic field disclosed in Document 2 as the ink-jet method in the invention disclosed in Document 1 does not involve an inventive step is explained in the section referring to Claims 1, 3, 9, 17, 19, 27, 33, 35, and 43.

Moreover, it would be easy for a person skilled in the art to conceive of applying the feature wherein "the image-forming means is provided with a dust-removing unit (2) that removes any dust present on the surface of the plate prior to any drafting on the original plate (1) for printing" which is disclosed in Document 4.

Claims 7, 8, 23, 24, 39 and 40

The invention set forth in the above-mentioned claims does not involve an inventive step in the light of Documents 1 and 2 cited in the international search report.

Document 1 discloses an on-press lithographic printing device provided with an image-forming means for forming a direct image on the surface of the plate (17) mounted on the plate cylinder (11) of the printing press using an ink-jet-drafting device whereby an oil-based ink is jetted out from a jet head (15) having a plurality of discharge channels based on the signals of image data, and a plate printing means for executing the plate-printing using a printing plate formed using said image-forming device, wherein the aforementioned image-forming device is provided with a recording head having discharge channel intervals of 250 μm [approximately 101 dpi] converted into the resolution of the drafted image] and when the image is being drafted on the aforementioned plate material, the aforementioned image-forming device carries out a primary

THIS PAGE BLANK (USPTO)

scanning by means of the rotation of the plate cylinder (11) mounted on the aforementioned plate (17) and, in addition, the aforementioned ink-jet-drafting device carries out a sub-scanning when the image is being drafted onto the aforementioned plate (17) by means of the movement of the jet head (15) in the axial direction of the aforementioned plate cylinder (11).

Document 2 discloses an ink-jet recording device wherein the oil-based ink is discharged using an electrostatic field.

It would be easy for a person skilled in the art to conceive of applying the device which uses an electrostatic field as disclosed in Document 2 as the ink-jet writing device in the invention disclosed in Document 1.

Claims 10, 28, 44

The invention set forth in the above-mentioned claims does not involve an inventive step in the light of Documents 1, 2 and 5 cited in the international search report.

The fact that applying the method of using an electrostatic field disclosed in Document 2 as the ink-jet method in the invention disclosed in Document 1 does not involve an inventive step is explained in the section referring to Claims 1, 3, 9, 17, 19, 27, 33, 35, and 43.

Moreover, it would be easy for a person skilled in the art to conceive of applying the feature wherein "a recovery means is provided which recovers the oil-based ink from the recording head and the ink circulation is executed by the ink supply means and the ink recovery means" which is disclosed in Document 5.

Claims 11, 29 and 45

The invention set forth in the above-mentioned claims

THIS PAGE BLANK (USPTO)

does not involve an inventive step in the light of Documents 1, 2 and 6 cited in the international search report.

The fact that applying the method of using an electrostatic field disclosed in Document 2 as the ink-jet method in the invention disclosed in Document 1 does not involve an inventive step is explained in the section referring to Claims 1, 3, 9, 17, 19, 27, 33, 35, and 43.

Moreover, it would be easy for a person skilled in the art to conceive of applying the feature of "providing a ink tank main body (26) which stores the oil-based ink with a rotator (27)" which is disclosed in Document 6.

Claims 12, 30 and 46

The invention set forth in the above-mentioned claims does not involve an inventive step in the light of Documents 1, 2 and 7 cited in the international search report.

The fact that applying the method of using an electrostatic field disclosed in Document 2 as the ink-jet method in the invention disclosed in Document 1 does not involve an inventive step is explained in the section referring to Claims 1, 3, 9, 17, 19, 27, 33, 35, and 43.

Moreover, it would be easy for a person skilled in the art to conceive of applying the feature of "providing a temperature control device (12) that controls the temperature of the ink inside the ink tank (1), which contains the oil-based oil" which is disclosed in Document 7.

Claims 13, 31 and 47

The invention set forth in the above-mentioned claims does not involve an inventive step in the light of Documents 1, 2 and 8 cited in the international search report.

THIS PAGE BLANK (USPTO)

The fact that applying the method of using an electrostatic field disclosed in Document 2 as the ink-jet method in the invention disclosed in Document 1 does not involve an inventive step is explained in the section referring to Claims 1, 3, 9, 17, 19, 27, 33, 35, and 43.

Moreover, it would be easy for a person skilled in the art to conceive of applying the feature of "providing a concentration adjustment/control unit (64) for controlling the concentration of the oil-based ink" which is disclosed in Document 8.

Claim 14

The invention set forth in the above-mentioned claims does not involve an inventive step in the light of Documents 1, 2 and 9 cited in the international search report.

The fact that applying the method of using an electrostatic field disclosed in Document 2 as the ink-jet method in the invention disclosed in Document 1 does not involve an inventive step is explained in the section referring to Claims 1, 3, 9, 17, 19, 27, 33, 35, and 43.

Moreover, it would be easy for a person skilled in the art to conceive of applying the feature of "providing a solenoid (22) which brings the recording head (11) close to the recording medium (15) when the image is being drafted on the recording medium (15) and which separates said recording head (11) from said recording medium (15) when no image drafting is taking place on the recording medium (15)" which is disclosed in Document 9.

Claims 15, 32 and 48

The invention set forth in the above-mentioned claims does not involve an inventive step in the light of Documents 1, 2 and 10 cited in the international search report.

THIS PAGE BLANK (USPTO)

The fact that applying the method of using an electrostatic field disclosed in Document 2 as the ink-jet method in the invention disclosed in Document 1 does not involve an inventive step is explained in the section referring to Claims 1, 3, 9, 17, 19, 27, 33, 35, and 43.

Moreover, it would be easy for a person skilled in the art to conceive of applying the feature wherein "the image-forming means is provided with a blade (13) for cleaning the head (1) at least after the completion of the recording operation" which is disclosed in Document 10.

Claim 16

The invention set forth in the above-mentioned claims does not involve an inventive step in the light of Documents 1, 2 and 11 cited in the international search report.

The fact that applying the method of using an electrostatic field disclosed in Document 2 as the ink-jet method in the invention disclosed in Document 1 does not involve an inventive step is explained in the section referring to Claims 1, 3, 9, 17, 19, 27, 33, 35, and 43.

Moreover, it would be easy for a person skilled in the art to conceive of applying the feature wherein "the plate-printing means is provided with an ultrasonic wave-type dust removal device (6) for removing the paper dust that is generated during the plate printing" which is disclosed in Document 11.

Claims 25, 26, 41, 42

The invention set forth in the above-mentioned claims does not involve an inventive step in the light of Documents 1, 2 and 12 cited in the international search report.

The fact that applying the method of using an electrostatic field disclosed in Document 2 as the ink-jet

THIS PAGE BLANK (USPTO)

method in the invention disclosed in Document 1 does not involve an inventive step is explained in the section referring to Claims 1, 3, 9, 17, 19, 27, 33, 35, and 43.

Moreover, it would be easy for a person skilled in the art to conceive of applying the feature wherein "during the drafting onto the offset original sheet (10), sub-scanning is carried out by holding the aforementioned offset original sheet (10) using the transport rollers (53a, 54a) and the pressure rollers (53b, 54b) and scanning" which is disclosed in Document 12.

THIS PAGE BLANK (USPTO)

国際調査報告

(法8条、法施行規則第40、41条)
[PCT18条、PCT規則43、44]

出願人又は代理人 の書類記号 P-35105	今後の手続きについては、国際調査報告の送付通知様式(PCT/ISA/220) 及び下記5を参照すること。	
国際出願番号 PCT/JP00/03493	国際出願日 (日.月.年) 31.05.00	優先日 (日.月.年) 31.05.99
出願人(氏名又は名称) 富士写真フイルム株式会社		

国際調査機関が作成したこの国際調査報告を法施行規則第41条(PCT18条)の規定に従い出願人に送付する。
この写しは国際事務局にも送付される。

この国際調査報告は、全部で 4 ページである。

この調査報告に引用された先行技術文献の写しも添付されている。

1. 国際調査報告の基礎

- a. 言語は、下記に示す場合を除くほか、この国際出願がされたものに基づき国際調査を行った。
- この国際調査機関に提出された国際出願の翻訳文に基づき国際調査を行った。
- b. この国際出願は、ヌクレオチド又はアミノ酸配列を含んでおり、次の配列表に基づき国際調査を行った。
- この国際出願に含まれる書面による配列表
- この国際出願と共に提出されたフレキシブルディスクによる配列表
- 出願後に、この国際調査機関に提出された書面による配列表
- 出願後に、この国際調査機関に提出されたフレキシブルディスクによる配列表
- 出願後に提出した書面による配列表が出願時における国際出願の開示の範囲を超える事項を含まない旨の陳述書の提出があった。
- 書面による配列表に記載した配列とフレキシブルディスクによる配列表に記載した配列が同一である旨の陳述書の提出があった。

2. 請求の範囲の一部の調査ができない(第I欄参照)。

3. 発明の単一性が欠如している(第II欄参照)。

4. 発明の名称は 出願人が提出したものを承認する。
 次に示すように国際調査機関が作成した。

5. 要約は 出願人が提出したものを承認する。
 第III欄に示されているように、法施行規則第47条(PCT規則38.2(b))の規定により国際調査機関が作成した。出願人は、この国際調査報告の発送の日から1カ月以内にこの国際調査機関に意見を提出することができる。

6. 要約書とともに公表される図は、
第 1 図とする。 出願人が示したとおりである。 なし
 出願人は図を示さなかった。
 本図は発明の特徴を一層よく表している。

THIS PAGE BLANK (USPTO)

A. 発明の属する分野の分類 (国際特許分類 (IPC))

Int. Cl⁷ B41C1/10, B41J2/06

B. 調査を行った分野

調査を行った最小限資料 (国際特許分類 (IPC))

Int. Cl⁷ B41C1/00-1/14, B41F7/02, B41F23/00,
B41J2/01-2/18

最小限資料以外の資料で調査を行った分野に含まれるもの

日本国実用新案公報 1922-1996年
日本国公開実用新案公報 1971-2000年
日本国登録実用新案公報 1994-2000年
日本国実用新案登録公報 1996-2000年

国際調査で使用した電子データベース (データベースの名称、調査に使用した用語)

C. 関連すると認められる文献

引用文献の カテゴリー*	引用文献名 及び一部の箇所が関連するときは、その関連する箇所の表示	関連する 請求の範囲の番号
Y	J P, 4-43036; A (住友重機械工業株式会社) 13. 2月. 1992 (13. 02. 92) 第2頁右上欄第2行~同頁右下欄第9行、第2図 (ファミリーなし)	1-48
Y	J P, 10-202822, A (富士写真フイルム株式会社) 4. 8月. 1998 (04. 08. 98) 段落番号【0095】、【0128】、第1-3図 (ファミリーなし)	1-48

C欄の続きにも文献が列挙されている。

パテントファミリーに関する別紙を参照。

* 引用文献のカテゴリー

- 「A」 特に関連のある文献ではなく、一般的技術水準を示すもの
- 「E」 国際出願日前の出願または特許であるが、国際出願日以後に公表されたもの
- 「L」 優先権主張に疑義を提起する文献又は他の文献の発行日若しくは他の特別な理由を確立するために引用する文献 (理由を付す)
- 「O」 口頭による開示、使用、展示等に言及する文献
- 「P」 国際出願日前で、かつ優先権の主張の基礎となる出願

の日の後に公表された文献

- 「T」 国際出願日又は優先日後に公表された文献であって出願と矛盾するものではなく、発明の原理又は理論の理解のために引用するもの
- 「X」 特に関連のある文献であって、当該文献のみで発明の新規性又は進歩性がないと考えられるもの
- 「Y」 特に関連のある文献であって、当該文献と他の1以上の文献との、当業者にとって自明である組合せによって進歩性がないと考えられるもの
- 「&」 同一パテントファミリー文献

国際調査を完了した日

23. 08. 00

国際調査報告の発送日

05.09.00

国際調査機関の名称及びあて先

日本国特許庁 (ISA/J P)
郵便番号100-8915
東京都千代田区霞が関三丁目4番3号

特許庁審査官 (権限のある職員)

中村 圭伸

印

2 P

9020

電話番号 03-3581-1101 内線 3261

THIS PAGE BLANK (USPTO)

C (続き) 関連すると認められる文献		
引用文献の カテゴリー*	引用文献名 及び一部の箇所が関連するときは、その関連する箇所の表示	関連する 請求の範囲の番号
Y	JP, 4-69245, A (コニカ株式会社) 4. 3月. 1992 (04. 03. 92) 第1頁左下欄第5行~第11行 (ファミリーなし)	5, 21, 37
Y	JP, 3-241361, A (コニカ株式会社) 28. 10月. 1991 (28. 10. 91) 第2頁右上欄第11行~同頁左下欄第10行, 第1図 (ファミリーなし)	6, 22, 38
Y	EP, 847859, A2 (NEC CORPORATION) 17. 6月. 1998 (17. 06. 98) 第10欄第46行~第56行, 第14-18図 & JP, 10-166590, A	10, 28, 44
Y	JP, 60-110458, A (株式会社日立製作所) 15. 6月. 1985 (15. 06. 85) 第2頁右上欄第14行~同頁左下欄第11行, 第4図 (ファミリーなし)	11, 29, 45
Y	JP, 4-307258, A (松下電器産業株式会社) 29. 10月. 1992 (29. 10. 92) 第3欄第7行~第24行, 第1-3図, (ファミリーなし)	12, 30, 46
Y	JP, 10-157161, A (キヤノン株式会社) 16. 6月. 1998 (16. 06. 98) 段落番号【0038】-【0039】, 第1-9図 (ファミリーなし)	13, 31, 47
Y	JP, 3-183555, A (キヤノン株式会社) 9. 8月. 1991 (09. 08. 91) 第3頁左上欄第20行~同頁左下欄第15行, 第2図 (ファミリーなし)	14
Y	JP, 2-95862, A (キヤノン株式会社) 6. 4月. 1990 (06. 04. 90) 第2頁右下欄第13行~第3頁左上欄第20行, 第1-4図 (ファミリーなし)	15, 32, 48
Y	日本国実用新案登録出願3-2405号 (日本国実用新案登録出願 公開4-96343) の願書に添付した明細書及び図面の内容を撮 影したマイクロフィルム (三菱重工業株式会社) 20. 8月. 1992 (20. 08. 92) 全文, 第1-10図 (ファミリーなし)	16

THIS PAGE BLANK (USPTO)

C (続き) 関連すると認められる文献		
引用文献の カテゴリー*	引用文献名 及び一部の箇所が関連するときは、その関連する箇所の表示	関連する 請求の範囲の番号
Y	JP, 5-269958, A (オリンパス光学工業株式会社) 19. 10月. 1993 (19. 10. 93) 段落番号【0036】-【0041】, 第5図 (ファミリーなし)	25-26, 41-42
A	JP, 4-97848, A (三菱重工業株式会社) 30. 3月. 1992 (30. 03. 92) 全文, 第1-2図 (ファミリーなし)	1-48
A	JP, 62-19463, A (セイコーエプソン株式会社) 28. 01月. 1987 (28. 01. 87) 第2頁右下欄第1行~第3頁左上欄第1行, 第1-4図 (ファミリーなし)	1-48

THIS PAGE BLANK (USPTO)

ST

特許協力条約

REC'D 27 AUG 2001
WIPO PCT

PCT

国際予備審査報告

(法第12条、法施行規則第56条)
[PCT36条及びPCT規則70]

出願人又は代理人 の書類記号 P-35015	今後の手続きについては、国際予備審査報告の送付通知(様式PCT/ IPEA/416)を参照すること。	
国際出願番号 PCT/JP00/03493	国際出願日 (日.月.年) 31.05.00	優先日 (日.月.年) 31.05.99
国際特許分類(IPC) Int. Cl ⁷ B41C1/10, B41J2/06		
出願人(氏名又は名称) 富士写真フイルム株式会社		

1. 国際予備審査機関が作成したこの国際予備審査報告を法施行規則第57条(PCT36条)の規定に従い送付する。

2. この国際予備審査報告は、この表紙を含めて全部で 7 ページからなる。

この国際予備審査報告には、附属書類、つまり補正されて、この報告の基礎とされた及び/又はこの国際予備審査機関に対してした訂正を含む明細書、請求の範囲及び/又は図面も添付されている。
(PCT規則70.16及びPCT実施細則第607号参照)
この附属書類は、全部で _____ ページである。

3. この国際予備審査報告は、次の内容を含む。

- I 国際予備審査報告の基礎
- II 優先権
- III 新規性、進歩性又は産業上の利用可能性についての国際予備審査報告の不作成
- IV 発明の単一性の欠如
- V PCT35条(2)に規定する新規性、進歩性又は産業上の利用可能性についての見解、それを裏付けるための文献及び説明
- VI ある種の引用文献
- VII 国際出願の不備
- VIII 国際出願に対する意見

国際予備審査の請求書を受理した日 21.11.00	国際予備審査報告を作成した日 07.08.01
名称及びあて先 日本国特許庁(IPEA/JP) 郵便番号100-8915 東京都千代田区霞が関三丁目4番3号	特許庁審査官(権限のある職員) 中村 圭伸 電話番号 03-3581-1101 内線 3261

D

THIS PAGE BLANK (USPTO)

I. 国際予備審査報告の基礎

1. この国際予備審査報告は下記の出願書類に基づいて作成された。(法第6条(PCT14条)の規定に基づく命令に
 応答するために提出された差し替え用紙は、この報告書において「出願時」とし、本報告書には添付しない。
 PCT規則70.16, 70.17)

出願時の国際出願書類

明細書 第 _____ ページ、 出願時に提出されたもの
 明細書 第 _____ ページ、 国際予備審査の請求書と共に提出されたもの
 明細書 第 _____ ページ、 _____ 付の書簡と共に提出されたもの

請求の範囲 第 _____ 項、 出願時に提出されたもの
 請求の範囲 第 _____ 項、 PCT19条の規定に基づき補正されたもの
 請求の範囲 第 _____ 項、 国際予備審査の請求書と共に提出されたもの
 請求の範囲 第 _____ 項、 _____ 付の書簡と共に提出されたもの

図面 第 _____ ページ/図、 出願時に提出されたもの
 図面 第 _____ ページ/図、 国際予備審査の請求書と共に提出されたもの
 図面 第 _____ ページ/図、 _____ 付の書簡と共に提出されたもの

明細書の配列表の部分 第 _____ ページ、 出願時に提出されたもの
 明細書の配列表の部分 第 _____ ページ、 国際予備審査の請求書と共に提出されたもの
 明細書の配列表の部分 第 _____ ページ、 _____ 付の書簡と共に提出されたもの

2. 上記の出願書類の言語は、下記に示す場合を除くほか、この国際出願の言語である。

上記の書類は、下記の言語である _____ 語である。

- 国際調査のために提出されたPCT規則23.1(b)にいう翻訳文の言語
- PCT規則48.3(b)にいう国際公開の言語
- 国際予備審査のために提出されたPCT規則55.2または55.3にいう翻訳文の言語

3. この国際出願は、ヌクレオチド又はアミノ酸配列を含んでおり、次の配列表に基づき国際予備審査報告を行った。

- この国際出願に含まれる書面による配列表
- この国際出願と共に提出されたフレキシブルディスクによる配列表
- 出願後に、この国際予備審査(または調査)機関に提出された書面による配列表
- 出願後に、この国際予備審査(または調査)機関に提出されたフレキシブルディスクによる配列表
- 出願後に提出した書面による配列表が出願時における国際出願の開示の範囲を超える事項を含まない旨の陳述書の提出があった
- 書面による配列表に記載した配列とフレキシブルディスクによる配列表に記載した配列が同一である旨の陳述書の提出があった。

4. 補正により、下記の書類が削除された。

- 明細書 第 _____ ページ
- 請求の範囲 第 _____ 項
- 図面 図面の第 _____ ページ/図

5. この国際予備審査報告は、補充欄に示したように、補正が出願時における開示の範囲を越えてされたものと認められるので、その補正がされなかったものとして作成した。(PCT規則70.2(c) この補正を含む差し替え用紙は上記1.における判断の際に考慮しなければならず、本報告に添付する。)

THIS PAGE BLANK (USPTO)

V. 新規性、進歩性又は産業上の利用可能性についての法第12条(PCT35条(2))に定める見解、それを裏付ける文献及び説明

1. 見解

新規性 (N)	請求の範囲	1-48	有
	請求の範囲		無
進歩性 (IS)	請求の範囲		有
	請求の範囲	1-48	無
産業上の利用可能性 (IA)	請求の範囲	1-48	有
	請求の範囲		無

2. 文献及び説明 (PCT規則70.7)

文献1: JP, 4-43036, A (住友重機械工業株式会社)
13. 2月. 1992 (13. 02. 92)
第2頁右上欄第2行~同頁右下欄第9行、第2図
(ファミリーなし)

文献2: JP, 10-202822, A (富士写真フイルム株式会社)
4. 8月. 1998 (04. 08. 98)
段落番号【0095】、【0128】、第1-3図
(ファミリーなし)

文献3: JP, 4-69245, A (コニカ株式会社)
4. 3月. 1992 (04. 03. 92)
第1頁左下欄第5行~第11行 (ファミリーなし)

文献4: JP, 3-241361, A (コニカ株式会社)
28. 10月. 1991 (28. 10. 91)
第2頁右上欄第11行~同頁左下欄第10行、第1図
(ファミリーなし)

文献5: EP, 847859, A2 (NEC CORPORATION)
17. 6月. 1998 (17. 06. 98)
第10欄第46行~第56行、第14-18図
& JP, 10-166590, A

文献6: JP, 60-110458, A (株式会社日立製作所)
15. 6月. 1985 (15. 06. 85)
第2頁右上欄第14行~同頁左下欄第11行、第4図
(ファミリーなし)

文献7: JP, 4-307258, A (松下電器産業株式会社)
29. 10月. 1992 (29. 10. 92)
第3欄第7行~第24行、第1-3図、(ファミリーなし)

THIS PAGE BLANK (USPTO)

補充欄 (いずれかの欄の大きさが足りない場合に使用すること)

第 V. 欄の続き

文献 8 : JP, 10-157161, A (キヤノン株式会社)
16. 6月. 1998 (16. 06. 98)
段落番号【0038】 - 【0039】, 第1-9図
(ファミリーなし)

文献 9 : JP, 3-183555, A (キヤノン株式会社)
9. 8月. 1991 (09. 08. 91)
第3頁左上欄第20行~同頁左下欄第15行, 第2図
(ファミリーなし)

文献 10 : JP, 2-95862, A (キヤノン株式会社)
6. 4月. 1990 (06. 04. 90)
第2頁右下欄第13行~第3頁左上欄第20行, 第1-4図
(ファミリーなし)

文献 11 : 日本国実用新案登録出願 3-2405号 (日本国実用新案登録出願公開 4-96343) の願書に添付した明細書及び図面の内容を撮影したマイクロフィルム (三菱重工業株式会社)
20. 8月. 1992 (20. 08. 92)
全文, 第1-10図 (ファミリーなし)

文献 12 : JP, 5-269958, A (オリンパス光学工業株式会社)
19. 10月. 1993 (19. 10. 93)
段落番号【0036】 - 【0041】, 第5図
(ファミリーなし)

請求の範囲 1, 3, 9, 17, 19, 27, 33, 35, 43

上記請求の範囲に記載された発明は、国際調査報告書で引用された文献 1-2 より進歩性を有さない。

文献 1 には、印刷機の版胴 11 に平板 17 を装着し、該平板 17 上に画像データの信号に基づき親油性液体を複数の吐出チャンネルを有するジェットヘッド 15 から吐出させるインクジェット方式により描画を行うことにより前記平板 17 表面に直接画像を形成して刷版を形成し、該刷版をその状態で用いて引き続き平版印刷を行う機上描画平版印刷方法において、平板 17 上への画像の形成を吐出チャンネル間隔が 250 μm [描画画像の解像度の換算で約 101 dpi] である記録ヘッドで行う機上描画平版印刷方法が記載されている。

文献 2 には、静電界を利用して油性インクを吐出させるインクジェット記録方法が記載されている。

文献 1 に記載された発明において、インクジェット方式として、文献 2 に記載された静電界を利用した方式を採用することは、当業者であれば容易に想到し得たものである。

請求の範囲 2, 4, 18, 20, 34, 36

上記請求の範囲に記載された発明は、国際調査報告書で引用された文献 1-2 より進歩性を有さない。

文献 1 には、印刷機の版胴 11 に平板 17 を装着し、該平板 17 上に画像データの信号に基づき親油性液体を複数の吐出チャンネルを有するジェットヘッド 15 から吐出させるインクジェット方式により描画を行うことにより前記平板 17 表面に直接画像を形成して刷版を形成し、該刷版をその状態で用いて引き続き平版印刷を行う機上描画平版印刷方法において、平板 17 上への画像の形成を吐出チャンネル間隔が 250 μm [描画画像の解像度の換算で約 101 dpi] である記録ヘッドで行う機上描

THIS PAGE BLANK (USPTO)

補充欄 (いずれかの欄の大きさが足りない場合に使用すること)

第 V. 欄の続き

画平版印刷方法が記載されている。

文献 2 には静電界を利用して油性インクを吐出させると共に、油性インクが、電気抵抗 $10^9 \Omega \text{ cm}$ 以上かつ誘電率 3.5 以下の非水溶媒中に、少なくとも常温で固体かつ疎水性の樹脂粒子を分散したものであるインクジェット記録方法が記載されている。

文献 1 に記載された発明において、インクジェット方式として文献 2 に記載された静電界を利用した方式を採用すると共に、油性インクとして文献 2 に記載されたものを採用することは、当業者であれば容易に想到し得たものである。

請求の範囲 5, 21, 37

上記請求の範囲に記載された発明は、国際調査報告書で引用された文献 1 - 3 より進歩性を有さない。

文献 1 に記載された発明において、インクジェット方式として、文献 2 に記載された静電界を利用した方式を採用することに進歩性がないことは上記請求の範囲請求の範囲 1, 3, 9, 17, 19, 27, 33, 35, 43 の項で述べたとおりである。

また、さらに、文献 3 に記載された「インクジェット方式の画像形成手段が、油性インクの加熱処理を行う装置を備えた」構成を採用することは、当業者であれば容易に想到し得たものである。

請求の範囲 6, 22, 38

上記請求の範囲に記載された発明は、国際調査報告書で引用された文献 1, 2, 4 より進歩性を有さない。

文献 1 に記載された発明において、インクジェット方式として、文献 2 に記載された静電界を利用した方式を採用することに進歩性がないことは上記請求の範囲請求の範囲 1, 3, 9, 17, 19, 27, 33, 35, 43 の項で述べたとおりである。

また、さらに、文献 4 に記載された「画像形成手段が、印刷用原版 1 への描面前に版材表面に存在する埃を除去する除埃部 2 を備えた」構成を採用することは、当業者であれば容易に想到し得たものである。

請求の範囲 7, 8, 23, 24, 39, 40

上記請求の範囲に記載された発明は、国際調査報告書で引用された文献 1 - 2 より進歩性を有さない。

文献 1 には、印刷機の版胴 11 に装着された平板 17 上に、画像データの信号に基づき複数の吐出チャンネルを有するジェットヘッド 15 から油性インクを吐出させるインクジェット描画装置により直接画像を形成する画像形成手段と、該画像形成手段によって形成された刷版で平版印刷を行う平版印刷手段とを備えた機上描画平版印刷装置において、前記画像形成手段は、吐出チャンネル間隔が $250 \mu\text{m}$ [描画画像の解像度の換算で約 101 dpi] である記録ヘッドを備え、更に、前記版材への描画時に、前記画像形成手段が、前記平板 17 に装着された版胴 11 の回転により主走査を行うと共に、前記インクジェット描画装置は、前記平板 17 への描画時に該ジェットヘッド 15 が前記版胴 11 の軸方向に移動する事により副走査を行う機上描画平版印刷装置が記載されている。

文献 2 には、静電界を利用して油性インクを吐出させるインクジェット描画装置が記載されている。

文献 1 に記載された発明において、インクジェット描画装置として、文献 2 に記載された静電界を利用したものを採用することは、当業者であれば容易に想到し得たものである。

請求の範囲 10, 28, 44

上記請求の範囲に記載された発明は、国際調査報告書で引用された文献 1, 2, 5 より進歩性を有さない。

. THIS PAGE BLANK (USPTO)

補充欄 (いずれかの欄の大きさが足りない場合に使用すること)

第 V. 欄の続き

文献1に記載された発明において、インクジェット方式として、文献2に記載された静電界を利用した方式を採用することに進歩性がないことは上記請求の範囲請求の範囲1, 3, 9, 17, 19, 27, 33, 35, 43の項で述べたとおりである。
また、さらに、文献5に記載された「記録ヘッドから油性インクを回収する回収手段を備え、インク供給手段及びインク回収手段によりインク循環を行う」構成を採用することは、当業者であれば容易に想到し得たものである。

請求の範囲11, 29, 45

上記請求の範囲に記載された発明は、国際調査報告書で引用された文献1, 2, 6より進歩性を有さない。

文献1に記載された発明において、インクジェット方式として、文献2に記載された静電界を利用した方式を採用することに進歩性がないことは上記請求の範囲請求の範囲1, 3, 9, 17, 19, 27, 33, 35, 43の項で述べたとおりである。

また、さらに、文献6に記載された「油性インクを格納するインクタンク本体26に回転子27を備えた」構成を採用することは、当業者であれば容易に想到し得たものである。

請求の範囲12, 30, 46

上記請求の範囲に記載された発明は、国際調査報告書で引用された文献1, 2, 7より進歩性を有さない。

文献1に記載された発明において、インクジェット方式として、文献2に記載された静電界を利用した方式を採用することに進歩性がないことは上記請求の範囲請求の範囲1, 3, 9, 17, 19, 27, 33, 35, 43の項で述べたとおりである。

また、さらに、文献7に記載された「油性インクを格納するインクタンク1内にインクの温度を制御する温度制御装置12を備えた」構成を採用することは、当業者であれば容易に想到し得たものである。

請求の範囲13, 31, 47

上記請求の範囲に記載された発明は、国際調査報告書で引用された文献1, 2, 8より進歩性を有さない。

文献1に記載された発明において、インクジェット方式として、文献2に記載された静電界を利用した方式を採用することに進歩性がないことは上記請求の範囲請求の範囲1, 3, 9, 17, 19, 27, 33, 35, 43の項で述べたとおりである。

また、さらに、文献8に記載された「油性インクのインク濃度を制御する濃度調整制御部64を備えた」構成を採用することは、当業者であれば容易に想到し得たものである。

請求の範囲14

上記請求の範囲に記載された発明は、国際調査報告書で引用された文献1, 2, 9より進歩性を有さない。

文献1に記載された発明において、インクジェット方式として、文献2に記載された静電界を利用した方式を採用することに進歩性がないことは上記請求の範囲請求の範囲1, 3, 9, 17, 19, 27, 33, 35, 43の項で述べたとおりである。

また、さらに、文献9に記載された「記録媒体15への描画時に記録ヘッド11を記録媒体15へ接近させ、該記録媒体15への描画時以外は該記録ヘッド11を該記録媒体15から離すソレノイド22を備えた」構成を採用することは、当業者であれば容易に想到し得たものである。

請求の範囲15, 32, 48

上記請求の範囲に記載された発明は、国際調査報告書で引用された文献1, 2, 10より進歩性を有さない。

THIS PAGE BLANK (USPTO)

補充欄 (いずれかの欄の大きさが足りない場合に使用すること)

第 V. 欄の続き

文献1に記載された発明において、インクジェット方式として、文献2に記載された静電界を利用した方式を採用することに進歩性がないことは上記請求の範囲請求の範囲1, 3, 9, 17, 19, 27, 33, 35, 43の項で述べたとおりである。
また、さらに、文献10に記載された「画像形成手段は、少なくとも記録動作終了後にヘッド1のクリーニングを行うブレード13を備えた」構成を採用することは、当業者であれば容易に想到し得たものである。

請求の範囲16

上記請求の範囲に記載された発明は、国際調査報告書で引用された文献1, 2, 11より進歩性を有さない。
文献1に記載された発明において、インクジェット方式として、文献2に記載された静電界を利用した方式を採用することに進歩性がないことは上記請求の範囲請求の範囲1, 3, 9, 17, 19, 27, 33, 35, 43の項で述べたとおりである。
また、さらに、文献11に記載された「平版印刷手段が、平版印刷時に発生する紙粉を除去する超音波式除塵装置6を備えた」構成を採用することは、当業者であれば容易に想到し得たものである。

請求の範囲25, 26, 41, 42

上記請求の範囲に記載された発明は、国際調査報告書で引用された文献1, 2, 12より進歩性を有さない。
文献1に記載された発明において、インクジェット方式として、文献2に記載された静電界を利用した方式を採用することに進歩性がないことは上記請求の範囲請求の範囲1, 3, 9, 17, 19, 27, 33, 35, 43の項で述べたとおりである。
また、さらに、文献12に記載された「オフセット原版シート10への描画時に、搬送ローラ53a・54aおよび圧接ローラ53b・54bにより前記オフセット原版シート10を挟持して走行させることにより副走査を行う」構成を採用することは、当業者であれば容易に想到し得たものである。

THIS PAGE BLANK (USPTO)

(19) 世界知的所有権機関
国際事務局



(43) 国際公開日
2000年12月7日 (07.12.2000)

PCT

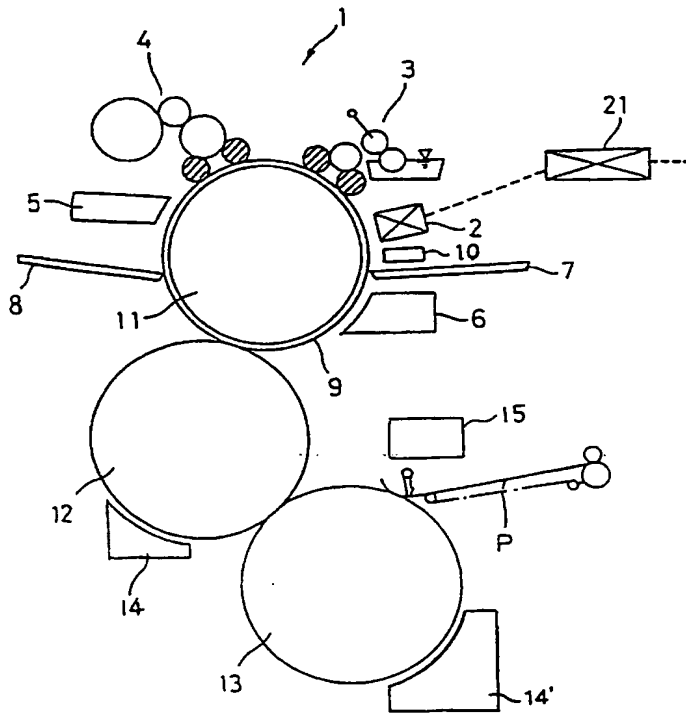
(10) 国際公開番号
WO 00/73065 A1

- (51) 国際特許分類: B41C 1/10, B41J 2/06 特願平 11/363271
1999年12月21日 (21.12.1999) JP
- (21) 国際出願番号: PCT/JP00/03493
- (22) 国際出願日: 2000年5月31日 (31.05.2000)
- (25) 国際出願の言語: 日本語
- (26) 国際公開の言語: 日本語
- (30) 優先権データ:
特願平11/152865 1999年5月31日 (31.05.1999) JP
特願平 11/340787
1999年11月30日 (30.11.1999) JP
特願平11/346323 1999年12月6日 (06.12.1999) JP
- (71) 出願人 (米国を除く全ての指定国について): 富士写真フイルム株式会社 (FUJI PHOTO FILM CO., LTD.) [JP/JP]; 〒250-0123 神奈川県南足柄市中沼210番地 Kanagawa (JP).
- (72) 発明者; および
- (75) 発明者/出願人 (米国についてのみ): 大澤定男 (OSAWA, Sadao) [JP/JP]. 中沢雄祐 (NAKAZAWA, Yusuke) [JP/JP]. 石井一夫 (ISHII, Kazuo) [JP/JP]. 加藤栄一 (KATO, Eiichi) [JP/JP]; 〒421-0302 静岡県榛原郡吉田町川尻4000番地 富士写真フイルム株式会社内 Shizuoka (JP).

[続葉有]

(54) Title: LITHOGRAPHIC METHOD AND LITHOGRAPHIC DEVICE, PLATE MAKING METHOD AND PLATE MAKING DEVICE, AND INK JET PRINTING METHOD AND PRINTING DEVICE

(54) 発明の名称: 平版印刷方法及び平版印刷装置、製版方法及び製版装置、並びにインクジェット印刷方法及び印刷装置



(57) Abstract: An on-press writing lithographic method comprising the steps of mounting a plate material on a plate cylinder of a printing press, forming a direct image on the surface of the plate material by an ink-jet-method writing for jetting out onto the plate material an oil-based ink from a recording head having a plurality of jetting channels based on the signals of image data and by using an electrostatic field to prepare a press plate, and continuously effecting a lithographic printing using the press plate as it is, characterized in that the image is formed on the plate material by a recording head having jetting channel intervals of at least 170 μm [up to 150 dpi(150-dot-per-inch intervals) in terms of the resolution of the written image]; and a device therefor.

[続葉有]

FOOTPRINT 0770650

WO 00/73065 A1



(74) 代理人: 弁理士 小栗昌平, 外(OGURI, Shohei et al.); 添付公開書類:
〒107-6028 東京都港区赤坂一丁目12番32号 アーク — 国際調査報告書
森ビル28階 栄光特許事務所 Tokyo (JP).

(81) 指定国 (国内): US.

(84) 指定国 (広域): ヨーロッパ特許 (AT, BE, CH, CY, DE, DK, ES, FI, FR, GB, GR, IE, IT, LU, MC, NL, PT, SE).

2文字コード及び他の略語については、定期発行される各PCTガゼットの巻頭に掲載されている「コードと略語のガイダンスノート」を参照。

(57) 要約:

印刷機の版胴に版材を装着し、その版材上に画像データの信号に基づき静電界を利用して油性インクを複数の吐出チャンネルを有する記録ヘッドから吐出させるインクジェット方式により描画を行うことにより前記版材表面に直接画像を形成して刷版を作成し、その刷版をその状態で用いて引き続き平版印刷を行う機上描画平版印刷方法において、版刷上への画像の形成を、吐出チャンネル間隔が 170 μm 以上[描画画像の解像度の換算で 150dpi (1 インチ当たり 150ドットの間隔) 以下]である記録ヘッドで行うことを特徴とする機上描画平版印刷方法及び装置である。

明 細 書

平版印刷方法及び平版印刷装置、製版方法及び製版装置、並びにインクジェット印刷方法及び印刷装置

5

技術分野

本発明は、マルチチャンネルヘッド描画装置を用いた画質の良好なインクジェット記録方法に関する。更に該インクジェット記録方法を用いた、印刷機上でデジタル製版を行う平版印刷方法及び平版印刷装置、デジタル製版を行う製版方法及び製版装置、並びにインクジェット印刷方法及び印刷装置に関する。

10

背景技術

インクジェット記録方法を印刷システムへ応用する方法として、例えば、特開平10-286939公報には、輪転印刷機に、インクジェット印刷装置を付設し、同一印刷紙上に、可変する番号やマーク等を付加的にインクジェットシステムで印刷する方法が開示されている。

15

しかし、写真画像の様な高度な画像情報の印刷が可能であることがより好ましい。ところが、従来の染料又は顔料を色剤として含む水系あるいは有機溶媒系インクを圧力を用いて噴出するインク技術では、溶媒を多く含む液滴が吐出するために、高価な専用紙を使用しないと印字画像に滲みを生じる欠点がある。

20

従って、通常の印刷用紙あるいは非吸収性媒体であるプラスチックシート等への印刷を行なう場合は、高品位の印刷画像を得られない。

また、インクジェット技術の一つとして、常温で固体状態のインクを加熱溶融し、液状となったインクを噴出し画像を形成する方法がある。このインクを用いると印字画像の滲みは軽減されるが、吐出時のインク粘度が高いために、微小な液滴の噴出が困難であり、得られる個々のドット画像は、面積が大きかつ厚くなり、高精細な画像を形成しがたい。

25

従来のマルチチャンネルヘッドを用いたインクジェット記録方法では、例えば600dpiの画像解像度で描画する場合、ヘッドの各電極は製作加工上の制約

から、200 dpi程度相当の約126 μm となっている。従って、例えば図11に示すように4チャンネルヘッドを例に説明すると、各吐出電極56-①～56-④は、600 dpi相当の約42 μm ずつ2ステップ移動した後、10ステップ一足飛びに移動して描画を続けることとなる。

- 5 しかしながら、この場合いわゆるクロストークと呼ばれる現象が起き、ヘッド内ではインクの粒子が枯渇してドット径が小さくなったり、吐出不能になったりする問題がある。

更に、隣接して吐出されたインク滴は、荷電反発により飛翔中に本来迎るべきコースから外れて、着弾位置精度が低下することがある。

- 10 一方、平版印刷においては、印刷版の表面に画像原稿に対応してインク受容性とインク反発性の領域を設け、印刷インクをインク受容性の領域に付着させて印刷を行う。通常は印刷版の表面に、親水性および親油性（インク受容性）の領域を画像様に形成し、湿し水を用いて親水性領域をインク反発性とする。

- 15 印刷原版への画像の記録（製版）は、一旦画像原稿をアナログ的またはデジタル的に銀塩写真フィルムに出力し、これを通してジアゾ樹脂や光重合性のフォトリソマー感光材料（印刷原版）を露光し、非画像部を主にアルカリ性溶液を用いて溶出除去して行うのが一般的な方法である。

- 20 近年、平版印刷方法において、最近のデジタル描画技術の向上と、プロセスの効率化の要求から、印刷原版上に、直接デジタル画像情報を描画するシステムが数多く提案されている。これは、CTP（Computer-to-plate）、あるいはDDPP（Digital Direct Printing Plate）と呼ばれる技術である。製版方法としては、例えばレーザーを用いて、光モードまたは熱モードで画像を記録するシステムがあり、一部は実用化され始めている。

- 25 しかし、この製版方法は、光モード、熱モードともに、一般には、レーザー記録後にアルカリ性現像液で処理して非画像部を溶解除去して製版が行われ、アルカリ性廃液が排出され、環境保全上好ましくない。

さらに印刷プロセスを効率化する手段として、画像描画を印刷機上で行うシステムがある。上記のレーザーを用いる方法もあるが、高価でかつ大きな装置とな

ってしまう。そこで、安価でかつコンパクトな描画装置であるインクジェット法を応用したシステムが試みられている。

特開平4-97848号公報には、従来の版胴に替えて、表面部が親水性または親油性である版ドラムを設け、この上に親油性または親水性の画像をインクジェット法で形成し、印刷終了後画像を除去し、クリーニングする方法が開示されている。しかしながら、この方法では、印刷画像の除去（すなわちクリーニングのし易さ）と耐刷性とが両立し難い。また、耐刷性の高い印刷画像を版胴上に形成しようとする、比較的高濃度の樹脂を含むインクを用いる必要があるため、印刷画像を形成するインクジェット手段において、ノズル部分での溶媒蒸発に伴う樹脂の固着が起こりやすく、インク吐出の安定性が低い。その結果、良好な画像が得難い。

また、特開昭64-27953号公報では、親水性の版材に親油性のワックスインクを使用してインクジェット法で描画を行い、製版を行う方法が開示されている。この方法では、画像がワックスで形成されるため、画像部の機械的強度が弱く、且つ版材親水性表面との密着性も不足するため耐刷性は低い。

本発明は、上記の問題点に着目してなされたものであり、その目的は、極めて高画質の画像を安定して得られるマルチチャンネルヘッド描画装置を用いたインクジェット記録方法を提供することにある。また、現像処理が不要なデジタル対応の平版印刷方法及び平版印刷装置を提供することである。更に、安価な装置および簡便な方法で、鮮明で高画質な画像の印刷物を多数枚印刷可能とする平版印刷方法及び平版印刷装置を提供することである。更に、現像処理が不要なデジタル対応の製版方法及び製版装置を提供することである。更に、安価な装置及び簡便な方法で、鮮明で高画質な画像の印刷物を与えるインクジェット印刷方法を提供することである。

25

発明の開示

(1) 印刷機の版胴に版材を装着し、該版材上に画像データの信号に基づき静電界を利用して油性インクを複数の吐出チャンネルを有する記録ヘッドから吐出させるインクジェット方式により描画を行うことにより前記版材表面に直接画像

を形成して刷版を作成し、該刷版をその状態で用いて引き続き平版印刷を行う機上描画平版印刷方法において、

版刷上への画像の形成を、吐出チャンネル間隔が $170\mu\text{m}$ 以上[描画画像の解像度の換算で 150dpi (1 インチ当たり 150ドットの間隔) 以下]である記録ヘッドで行

5 うことを特徴とする機上描画平版印刷方法。

(2) 前記油性インクが、固有電気抵抗値 $10^9\ \Omega\ \text{cm}$ 以上かつ誘電 3.5 以下の非水溶媒中に、少なくとも常温で固体かつ疎水性の樹脂粒子を分散したものである

(1) に記載の機上描画平版印刷方法。

(3) 印刷装置の版胴に装着された版材上に、画像データの信号に基づき静電
10 界を利用して複数の吐出チャンネルを有する記録ヘッドから油性インクを吐出させるインクジェット描画装置により直接画像を形成する画像形成手段と、該画像形成手段によって形成された刷版で平版印刷を行う平版印刷手段とを備えた機上描画平版印刷装置において、

前記画像形成手段は、吐出チャンネル間隔が $170\mu\text{m}$ 以上[描画画像の解像度の
15 換算で 150dpi (1 インチ当たり 150ドットの間隔) 以下]である記録ヘッドを備えたことを特徴とする機上描画平版印刷装置。

(4) 前記油性インクが、固有電気抵抗値 $10^9\ \Omega\ \text{cm}$ 以上かつ誘電 3.5 以下の非水溶媒中に、少なくとも常温で固体かつ疎水性の樹脂粒子を分散したものである (3) に記載の機上描画平版印刷装置。

20 (5) 前記画像形成手段は、前記インクの定着装置を備えたことを特徴とする (3) 又は (4) に記載の機上描画平版印刷装置。

(6) 前記画像形成手段は、版材への描画前及び/又は描画中に版材表面に存在する埃を除去する版材表面埃除去手段を備えたことを特徴とする (3) ~ (5) のいずれかに記載の機上描画平版印刷装置。

25 (7) 前記版材への描画時に、前記画像形成手段が、前記版材の装着された版胴の回転により主走査を行うことを特徴とする (3) ~ (6) のいずれかに記載の機上描画平版印刷装置。

(8) 前記インクジェット描画装置は、前記版材への描画時に該記録ヘッドが前記版胴の軸方向に移動する事により副走査を行うことを特徴とする (7) に記

載の機上描画平版印刷装置。

(9) 前記インクジェット描画装置は、前記記録ヘッドに前記油性インクを供給するインク供給手段を備えたことを特徴とする(3)～(8)のいずれかに記載の機上描画平版印刷装置。

- 5 (10) 前記記録ヘッドから前記油性インクを回収するインク回収手段を備え、前記インク供給手段及びインク回収手段によりインク循環を行うことを特徴とする(9)に記載の機上描画平版印刷装置。

(11) 前記油性インクを格納するインクタンク内にインク攪拌手段を備えたことを特徴とする(3)～(10)のいずれかに記載の機上描画平版印刷装置。

- 10 (12) 前記油性インクを格納するインクタンク内にインクの温度を制御するインク温度制御手段を備えたことを特徴とする(3)～(11)のいずれかに記載の機上描画平版印刷装置。

(13) 前記油性インクのインク濃度を制御するインク濃度制御手段を備えたことを特徴とする(3)～(12)のいずれかに記載の機上描画平版印刷装置。

- 15 (14) 前記インクジェット描画装置は、前記版材への描画時に前記記録ヘッドを前記版胴へ接近させ、該版材への描画時以外は該記録ヘッドを該版胴から離す記録ヘッド離接手段を備えたことを特徴とする(3)～(13)のいずれかに記載の機上描画平版印刷装置。

- 20 (15) 前記画像形成手段は、少なくとも製版終了後に前記記録ヘッドのクリーニングを行う記録ヘッドクリーニング手段を備えたことを特徴とする(3)～(14)のいずれかに記載の機上描画平版印刷装置。

(16) 前記平版印刷手段は、平版印刷時に発生する紙粉を除去する紙粉除去手段を備えたことを特徴とする(3)～(15)のいずれかに記載の機上描画平版印刷装置。

- 25 (17) 画像データの信号に基づき静電界を利用して油性インクを複数の吐出チャンネルを有する記録ヘッドから吐出させるインクジェット方式により描画を行うことにより、版材上に直接画像を形成して刷版を作成する製版方法において、

版材上への画像の形成を、吐出チャンネル間隔が $170\mu\text{m}$ 以上[描画画像の解像度の換算で150dpi(1インチ当たり150ドットの間隔)以下]である記録ヘッドで行

うことを特徴とする製版方法。

(18) 前記油性インクが、固有電気抵抗値 $10^9 \Omega \text{ cm}$ 以上かつ誘電率 3.5 以下の非水溶媒中に、少なくとも常温で固体かつ疎水性の樹脂粒子を分散したものである(17)に記載の製版方法。

5 (19) 画像データの信号に基づき静電界を利用して複数の吐出チャンネルを有する記録ヘッドから油性インクを吐出させるインクジェット描画装置により版材上に直接画像を形成する画像形成手段を備えた製版装置において、

版材上への画像の形成を、吐出チャンネル間隔が $170 \mu\text{m}$ 以上[描画画像の解像度の換算で 150dpi (1 インチ当たり 150 ドットの間隔) 以下]である記録ヘッドで行うことを特徴とする製版装置。

10

(20) 前記油性インクが、固有電気抵抗値 $10^9 \Omega \text{ cm}$ 以上かつ誘電率 3.5 以下の非水溶媒中に、少なくとも常温で固体かつ疎水性の樹脂粒子を分散したものである(19)に記載の製版装置。

(21) 前記画像手段は、前記インクの定着装置を備えたことを特徴とする(19)又は(20)に記載の製版装置。

15

(22) 前記画像形成手段は、版材への描画前及び/又は描画中に版材表面に存在する埃を除去する版材表面埃除去手段を備えたことを特徴とする(19)～(21)のいずれかに記載の製版装置。

(23) 前記版材への描画時に、前記版材が装着されたドラムを回転させて前記印刷媒体を移動させることにより描画を行う(19)～(22)の何れかに記載の製版装置。

20

(24) 前記記録ヘッドを、前記ドラムの軸方向に移動する事により描画を行う(23)に記載の製版装置。

(25) 前記版材上への描画時に、少なくとも1対のキャブスタンローラにより前記版材を挟持して走行させることにより副走査を行う(19)～(22)のいずれかに記載の製版装置。

25

(26) 前記記録ヘッドを、前記版材の走行方向と直交する方向に移動する事により描画を行う(25)に記載の製版装置。

(27) 前記インクジェット描画装置が、前記記録ヘッドに前記油性インクを

供給するインク供給手段を有する(19)～(26)のいずれかに記載の製版装置。

(28)前記記録ヘッドから前記油性インクを回収するインク回収手段を有し、インク循環を行う(27)に記載の製版装置。

- 5 (29)前記インクジェット描画装置が、前記油性インクを格納するインクタンク内の前記油性インクを攪拌する攪拌手段を有する(19)～(28)のいずれかに記載の製版装置。

(30)前記インクジェット描画装置が、前記油性インクを格納するインクタンク内の前記油性インクの温度を管理するインク温度管理手段を有する(19)

- 10 ～(29)のいずれか1項に記載の製版装置。

(31)前記インクジェット描画装置が、前記油性インクの濃度を制御するインク濃度制御手段を有する(19)～(30)のいずれか1項に記載の製版装置。

(32)前記記録ヘッドをクリーニングするクリーニング手段を有する(19)～(31)のいずれか1項に記載の製版装置。

- 15 (33)画像データの信号に基づき静電界を利用して油性インクを複数の吐出チャンネルを有する記録ヘッドから吐出させるインクジェット方式により描画を行うことにより、印刷媒体上に直接画像を形成して印刷物を作成する印刷方法において、

- 20 印刷媒体上への画像の形成を、吐出チャンネル間隔が $170\mu\text{m}$ 以上[描画画像の解像度の換算で150dpi(1インチ当たり150ドットの間隔)以下]である記録ヘッドで行うことを特徴とする印刷方法。

(34)前記油性インクが、固有電気抵抗値 $10^9\Omega\text{cm}$ 以上かつ誘電3.5以下の非水溶媒中に、少なくとも着色粒子を分散したものである(33)に記載のインクジェット式印刷方法。

- 25 (35)画像データの信号に基づき静電界を利用して複数の吐出チャンネルを有する記録ヘッドから油性インクを吐出させるインクジェット描画装置により印刷媒体上に直接画像を形成する画像形成手段を備えた印刷装置において、

該印刷媒体上への画像の形成を、吐出チャンネル間隔が $170\mu\text{m}$ 以上[描画画像の解像度の換算で150dpi(1インチ当たり150ドットの間隔)以下]である記録ヘッ

ドで行うことを特徴とする印刷装置。

(36) 前記油性インクが、固有電気抵抗値 $10^9 \Omega \text{ cm}$ 以上かつ誘電率 3.5 以下の非水溶媒中に、少なくとも着色粒子を分散したものである(35)に記載の印刷装置。

- 5 (37) 前記画像形成手段は、前記インクの定着装置を備えたことを特徴とする(35)又は(36)に記載の印刷装置。

(38) 前記印刷媒体への印刷前及び/又は印刷中に、前記印刷媒体表面に存在する埃を除去する埃除去手段を有する(35)～(37)の何れかに記載の印刷装置。

- 10 (39) 前記印刷媒体への描画時に、前記印刷媒体を介して、前記記録ヘッドと対向する位置に配置された対向ドラムを回転させて前記印刷媒体を移動させることにより描画を行う(35)～(38)の何れかに記載の印刷装置。

(40) 前記記録ヘッドを対向ドラムの軸方向に移動する事により描画を行う(39)に記載の印刷装置。

- 15 (41) 前記印刷媒体への描画時に、少なくとも一对のキャプスタンローラにより前記印刷媒体を挟持して走行させることにより、描画を行う(35)～(38)の何れかに記載の印刷装置。

(42) 前記記録ヘッドを、前記印刷媒体の走行方向と直交する方向に移動する事により描画を行う(41)に記載の印刷装置。

- 20 (43) 前記インクジェット描画装置が、前記記録ヘッドに前記油性インクを供給するインク供給手段を有する(35)～(42)の何れかに記載の印刷装置。

(44) 前記記録ヘッドから前記油性インクを回収するインク回収手段を有し、インク循環を行う(43)に記載の印刷装置。

- 25 (45) 前記インクジェット描画装置が、前記油性インクを格納するインクタンク内の前記油性インクを攪拌する攪拌手段を有する(35)～(44)のいずれかに記載の印刷装置。

(46) 前記インクジェット描画装置が、前記油性インクを格納するインクタンク内の前記油性インクの温度を管理するインク温度管理手段を有する(35)～(45)の何れかに記載の印刷装置。

(47) 前記インクジェット描画装置が、前記油性インクの濃度を制御するインク濃度制御手段を有する(35)～(46)の何れかに記載の印刷装置。

(48) 前記記録ヘッドをクリーニングするクリーニング手段を有する(35)～(47)の何れかに記載の印刷装置。

5

図面の簡単な説明

図1は本発明に用いる機上描画平版印刷装置の一例を模式的に示す全体構成図である。

10 図2は本発明に用いる機上描画平版印刷装置の描画部の一例を模式的に示す構成図である。

図3は本発明に用いるインクジェット記録装置に備えられるヘッドの一例を示す概略構成図である。

図4は図3のインク吐出部近傍の断面概略図である。

15 図5は本発明に用いるインクジェット記録装置に備えられる他のヘッドの一例におけるインク吐出部近傍の断面概略図である。

図6は図5のインク吐出部近傍の前面概略図である。

図7は本発明に用いるインクジェット記録装置に備えられる他のヘッドの一例の要部を示す概略構成図である。

図8は図7のヘッドから規制板を取り除いたヘッドの概略構成図である。

20 図9は本発明に用いるインクジェット記録装置に備えられる他のヘッドの一例の要部を示す概略構成図である。

図10は本発明に用いる複色機の一例として、機上描画4色片面平版印刷機を模式的に示す全体構成図である。

図11Aは本発明に用いる製版装置の一例を模式的に示す全体構成図である。

25 図11Bは本発明に用いる製版装置の他の一例を模式的に示す全体構成図である。

図11Cは4チャンネルヘッドの描画法を説明するための図である。

図12は6チャンネルヘッドの描画法における吐出電極の影響を説明するための図である。

図13は4チャンネルヘッドの描画法における吐出電極の影響を説明するための図である。

図14は本発明のインクジェット印刷装置の一例である片面単色の印刷を行なうWeb式装置を模式的に示す全体構成図である。

5 図15は本発明のインクジェット印刷装置の別の例である片面4色の印刷を行なうWeb式装置を模式的に示す全体構成図である。

図16は本発明のインクジェット印刷装置の別の例である両面4色印刷装置を模式的に示す全体構成図である。

10 図17は本発明のインクジェット印刷装置の別の例である両面4色印刷装置を模式的に示す全体構成図である。

図18は本発明のインクジェット印刷装置の別の例であるロール状印刷媒体をカットして、対向ドラムに巻き付け印刷を行なう片面4色印刷装置両面4色印刷装置を模式的に示す全体構成図である。

15 図19は本発明のインクジェット印刷装置の別の例であるシート状記録媒体を用いた印刷装置を模式的に示す全体構成図である。

図20は本発明のインクジェット印刷装置の別の例であるキャップスタンローラによりロール状印刷媒体を挟持して走行させることにより描画を行なう印刷装置を模式的に示す全体構成図である。

20 図21は本発明のインクジェット印刷装置の別の例であるキャップスタンローラによりシート状記録媒体を挟持して走行させることにより描画を行なう印刷装置を模式的に示す全体構成図である。

発明を実施するための最良の形態

25 従来のマルチチャンネルヘッド（吐出電極を複数有するヘッド）において問題となっているクロストークの現象について、図12（6チャンネルの例）及び図13（4チャンネルの例）を用いて説明する。

図12に示すように、画像信号が連続してONの吐出電極が並んでいる場合（56-④と56-⑤）、画像描画主操作方向（画像後端）に進むに従い、インクの荷電反発により供給量が減少し、インクの供給が先端まで行われないため、インク

粒子が枯渇して、ドット径が小さくなったり、吐出不能となってしまうものと考えられる。

図12に示すように、画像信号が一旦OFFになり、インク供給が充分になると、再び描画可能となる。また、両端の電極がOFFであれば、この現象は起こりにくい。これは、電界の影響がある一定の距離内に及ぶためと考えられる。

同様に図13に示すように、吐出インク滴の飛翔曲がりについても、隣接する電極から同時に吐出された場合には、インク滴に帯電された荷電による反発が起こり、着弾位置精度が劣る(56-①と56-②)。

また、両側の最外電極では、その隣の電極がONの時には必ず外側へ向かって曲げられて吐出される(56-①)。

以上の二つの現象は単独もしくは重畳して発生することがある。ヘッドの構造、インク物性や流路、吐出時に引加する電圧パルス条件等によるものと考えられる。

そこで、各吐出電極間の距離を検討したところ、本発明の通り、ヘッド部の各吐出電極間隔を、少なくとも目的とする描画画像の解像度によって決定される吐出されるべき左右隣接ドット間隔より広くすることにより、上記クロストークの問題が良好に回避されることが見いだされたものである。

以下、本発明の実施の形態について詳細に説明する。

本発明においては、吐出チャンネル間隔を、 $170\mu\text{m}$ 以上(描画画像度の換算で 150dpi 以下)、更には $250\mu\text{m}$ 以上(同 100dpi 以下)とすることが好ましい。描画画像の解像度から決定される隣接ドットの間隔が吐出チャンネル間隔よりも小さい場合は、前述のように、描画画像の解像度から決定される隣接ドットの間隔のステップを所定回数繰り返した後に、隙間が出来ないように略全チャンネル中のステップを行うことを繰り返すことにより、目的の画像を得ることができる。

更に、描画中のマルチチャンネルヘッドの隣接チャンネル間隔距離だけヘッドが移動した後に、全チャンネル電極間距離を移動する(図11Cの口に相当)ことをくり返すことにより、目的の画像を得ることができる。

チャンネル数は適宜設定できるが、電極間隔が広い場合(dpi では数字が小さい場合)、同じチャンネル数なら全体の幅が大きくなり、加工も容易になる。

本発明のインクジェット記録方法は、絶縁性溶媒中に少なくとも常温で固体で且つ疎水性の樹脂粒子を分散した高抵抗を有するインクを使用し、このインクに吐出位置で静電界を作用させることにより、該樹脂粒子の凝集物を該吐出位置に形成し、更に静電手段により該凝集物を吐出位置から吐出させるものである。具体的には、例えば、WO 93 / 1 1 8 6 6号等に記載の静電式インクジェット法を適用することができる。

この方法を製版に適用すると、樹脂粒子は高濃度化した凝集物として吐出されることにより、版材に印字されたドットの膜厚が十分に得られる。これにより、記録媒体である版材上では十分な耐刷性を有する凝集樹脂粒子の画像が形成されることになる。更に、樹脂粒子は高濃度化した凝集物として吐出され、吐出液滴中に含まれる溶媒成分が少なく、インクの乾きが速くなるため版上でのドットの滲みが抑えられ、高精細な画像が形成される。

またこのインクジェット法では、吐出したインキ滴の大きさは吐出電極先端部の大きさあるいは電界形成条件によって決まり、吐出ノズル径あるいはスリット幅を小さくすることなく、小さなインキ滴が得られる。電界形成条件を制御することにより記録媒体上でのドット径をコントロールすることができる。従って、ヘッドのインク詰まりの問題なしに、微小な画像のコントロールが可能であり、鮮明な画像の印刷物を多数枚与えることができる。

本発明のインクジェット法は、静電界を利用して行われ、インクに強い電界を作用させて吐出させることが好ましい。電界強度が充分でないと良好な吐出性が得られない場合があるので、約 $1 \times 10^5 \text{ V/cm}$ 以上が適当である。他方、あまりに高すぎると、ドット分裂やサテライトの発生が生じ、画質が低下する傾向があるため、約 $1 \times 10^8 \text{ V/cm}$ 以下が好ましい。より好ましくは $2 \times 10^5 \text{ V/cm}$ から $5 \times 10^7 \text{ V/cm}$ の範囲である。

本発明のインクジェット記録方法を用いた機上描画平版印刷方法について説明する。

本発明の機上描画平版印刷方法を実施するのに用いられる機上描画平版印刷装置の一構成例を以下に示す。

図 1 は、機上描画単色片面平版印刷装置の全体構成図である。図 2 は本機上描

画平版印刷装置の制御部、インク供給部、ヘッド離接機構を含めた描画部の概略構成例である。また、図3～図9は、図1、及び図10の機上描画平版印刷装置が具備するインクジェット記録装置を説明するためのものである。さらに、図10は、本発明に係る機上描画4色片面平版印刷装置の全体構成例である。

- 5 まずは図1に示す機上描画単色片面平版印刷機の全体構成図を用いて本発明による印刷工程について説明する。図1に示されるように、機上描画平版印刷装置1（以下単に「印刷装置」ともいう）は、版胴11、ブランケット胴12及び圧胴13を一つずつ有し、少なくとも平版印刷を行う際には版胴11に対して転写用のブランケット胴12が圧接するように配置され、ブランケット胴12にはこれに転写された印刷インク画像を印刷紙Pに転移させるための圧胴13が圧接するように配置されている。

- 10 版胴11は、通常金属製であり、その表面は耐摩耗性を強化するために例えばクロムメッキが施されているが、後述のようにその表面に断熱材を有してもよい。一方、版胴11は静電界吐出において、吐出ヘッド電極の対極となるためアース
- 15 されることが好ましい。また、版材の基体の絶縁性が高い場合には基体上に導電層を設けることが好ましく、この場合にはこの導電層から版胴にアースを取る手段を設けることが望ましい。さらに前述のように版胴上に断熱材を設ける場合にも、版材からアースを取る手段を設けることにより描画は容易になる。この場合には公知の導電性を有するブラシ、板バネ、ローラ等の手段を使用できる。

- 20 さらに、印刷装置1はインクジェット記録装置（インクジェット描画装置）2を有し、これにより、画像データ演算制御部21より送られてくる画像データに対応して、版胴11上に装着された版材9上に油性インクを吐出し画像を形成する。

- 25 また、印刷装置1には版材9上の親水部（非画像部）に湿し水を供給する湿し水供給装置3が設置されている。図1には湿し水供給装置3の代表例としてモルトン給水方式の装置を示しているが、湿し水供給装置3としてはその他にシンプロ給水方式、連続給水方式等公知の装置が使用できる。

さらに、印刷装置1は、印刷インク供給装置4、及び版材9上に描画された油性インク画像を強固にするための定着装置5を有する。必要に応じて版材9表面

の親水性強化の目的で版面不感脂化装置 6 を設置してもよい。

また、印刷装置 1 は、版材への描画前及び／又は描画中に版材表面に存在する埃を除去する版材表面埃除去手段 10 を有する。これにより、製版中にヘッドと版材の間に入った埃を伝ってインクが版材上に付着することが有効に防止され、

5 良好な製版が得られる。埃除去手段としては公知の吸引除去、吹き飛ばし除去、静電除去等の非接触法その他、ブラシ、ローラー等による接触法が使用でき、本発明では望ましくはエア吸引、またはエアによる吹き飛ばしのいずれか、あるいはそれらを組み合わせて使用される。この場合には、通常給紙装置に使用されるエアポンプをこの用途に流用することもできる。

- 10 さらに、版材 9 を版胴 11 上に自動的に供給する自動給版装置 7、及び印刷終了後の版を版胴 11 上から自動的に取り除く自動排版装置 8 を設置してもよい。印刷機の補助装置として公知であるこの装置を有する印刷機として、例えばハマダ V S 3 4 A、B 4 5 2 A (ハマダ印刷機械(株))、トーコー 8 0 0 0 P F A (東京航空計器(株))、リヨービ 3 2 0 0 A C D、3 2 0 0 P F A (リヨービイマジ
- 15 スク(株))、A M S I S M u l t i 5 1 5 0 F A (日本エーエム(株))、オリバー 2 6 6 E P Z (桜井グラフィックシステムズ(株))、シノハラ 6 6 I V / I V P (篠原商事(株))等がある。さらにブランケット洗浄装置 14、圧胴洗浄装置 14' を設置してもよい。これらの装置 7、8、14、14' を用いることで印刷操作がより簡便となり、また、印刷時間の短縮が図られることから本発明の効果をより一層高められる。さらに、圧胴 13 の近傍に紙粉発生防止装置(紙粉除去
- 20 手段) 15 を設置してもよく、これにより版材上に紙粉が付着することを防止できる。紙粉発生防止装置 15 としては湿度コントロール、エアや静電力による吸引等の方法を使用することができる。

- 画像データ演算制御部 21 は、画像スキャナ、磁気ディスク装置、画像データ
- 25 伝送装置等からの画像データを受け、色分解を行うと共に、分解されたデータに対して適当な画素数、階調数に分割演算する。さらに、インクジェット記録装置 2 が有する記録ヘッドとしてのインクジェット吐出ヘッド 22 (図 2 参照。後に詳述する。)を用いて油性インク画像を網点化して描くために、網点面積率の演算も行う。

また、後述するように、画像データ演算制御部 2 1 は、インクジェット吐出ヘッド 2 2 の移動、油性インクの吐出タイミングを制御すると共に、必要に応じて版胴 1 1、ブランケット胴 1 2、圧胴 1 3 等の動作タイミングを制御も行う。

図 1、及び一部図 2 を参照して印刷装置 1 による刷版の作成工程を以下に説明する。

まず、版胴 1 1 に自動給版装置 7 を用いて版材 9 を装着する。この時、公知の版頭／尻くわえ装置、エア吸引装置等による機械的方法、あるいは静電的な方法等により版材は版胴上に密着固定され、これにより版尻がぼたついて描画時にインクジェット記録装置 2 に接触し破損することを防止できる。また、インクジェット記録装置の描画位置周辺のみで版材を版胴に密着させる手段を配し、少なくとも描画を行う時にはこれを作用させることによって、版材がインクジェット記録装置に接触することを防止することもできる。具体的には、例えば版胴描画位置の上流、及び下流に押さえローラを配する等の方法がある。また、版を固定する過程で、版尻がインク供給ローラに接触しないようにする手段を設けること
10
15
によって、版面の汚れを防止でき損紙を減らすことができる。具体的には押さえローラあるいはガイド、静電吸着等が有効である。

磁気ディスク装置等からの画像データは、画像データ演算制御部 2 1 に与えられ、画像データ演算制御部 2 1 は、入力画像データに応じて油性インクの吐出位置、その位置における網点面積率の演算を行う。これらの演算データは一旦バッファに格納される。画像データ演算制御部 2 1 は、版胴 1 1 を回転させ、吐出ヘッド 2 2 をヘッド離接装置（記録ヘッド離接手段） 3 1 により版胴 1 1 と近接された位置に近づける。吐出ヘッド 2 2 と版胴 1 1 上の版材 9 表面との距離は、付き当てローラのような機械的距離制御、あるいは光学的距離検出器からの信号によるヘッド離接装置の制御により、描画中、所定距離に保たれる。この距離制御により、版材の浮き等によりドット径が不均一になったり、特に印刷機に振動が
20
25
加わった際等にもドット径が変化したりせず、良好な製版を得ることができる。

描画は版胴 1 1 の回転により主走査を行う。吐出部の配列方向は軸方向に設置する。画像データ演算制御部 2 1 により版胴 1 1 一回転毎にヘッド 2 2 を版胴の軸方向に移動して、上記演算により得られた吐出位置及び網点面積率で油性イン

クを版胴 1 1 に装着した版材 9 に吐出する。これにより、版材 9 には、印刷原稿の濃淡に応じた網点画像が油性インクで描画される。この動作は、版材 9 上に印刷原稿一色分の油性インク画像が形成され刷版ができあがるまで続く。

5 次いで吐出ヘッド 2 2 を保護するために、吐出ヘッド 2 2 は、版胴 1 1 と近接された位置から離れるように退避させられる。この時、吐出ヘッド 2 2 のみに離接してもよいが、吐出ヘッド 2 2 とヘッド副走査手段 3 2 を一緒に離接、あるいは吐出ヘッド 2 2 とインク供給部 2 4 とヘッド副走査手段 3 2 全てを一緒に離接することもできる。また、吐出ヘッド 2 2 とインク供給部 2 4 とヘッド副走査手段 3 2 と共に、定着装置 5、埃除去手段 1 0 にもそれぞれ離接手段を設け、退避
10 可能とすることにより、通常印刷にも対応できる。

この離接手段は、描画時以外は記録ヘッドを版胴に対し少なくとも 5 0 0 μ m 以上離すように動作する。離接動作はスライド式にしてもよいし、ある軸に固定されたアームでヘッドを固定し、軸まわりにアームを動かし振り子状に移動してもよい。このように非描画時にヘッドを退避させることにより、ヘッドを物理的
15 破損あるいは汚染から保護し、長寿命化を達成することができる。

また、形成された油性インク画像は、定着装置 5 で加熱等により強化される。インクの定着手段としては、加熱定着、溶媒定着等の公知の手段が使用できる。加熱定着では赤外線ランプ、ハロゲンランプ、キセノンフラッシュランプ照射あるいはヒーターを利用した熱風定着、ヒートロール定着が一般的である。この場
20 合には定着性を高めるために、版胴を加熱しておく、版材を予め加熱しておく、熱風を当てながら描画を行う、版胴を断熱材でコートする、定着時のみ版胴から版材を離して版材のみを加熱する、等の手段を単独、あるいは組み合わせてとることが有効である。キセノンランプ等を使用してのフラッシュ定着は電子写真トナーの定着法として公知であり、定着を短時間に行えるという利点がある。

25 溶媒定着ではメタノール、酢酸エチル等のインク中の樹脂成分を溶解しうる溶媒を噴霧し、余分な溶媒蒸気は回収する。なお、少なくとも吐出ヘッド 2 2 による油性インク画像形成から、定着装置 5 による定着までの行程では、湿し水供給装置 3、印刷インク供給装置 4、及びブランケット胴 1 2 は版胴上の版材 9 には接触しないように保たれることが望ましい。

刷版形成後の印刷工程は、公知の平版印刷方法と同様である。すなわち、この油性インク画像が描画された版材 9 に、印刷インク及び湿し水を与え印刷画像を形成し、この印刷インク画像を版胴 1 1 と共に回転しているブランケット胴 1 2 上に転写し、次いでブランケット胴 1 2 と圧胴 1 3 との間を通過する印刷用紙 P 上にブランケット胴 1 2 上の印刷インク画像を転移させることで一色分の印刷が行われる。印刷終了後の版材 9 は、自動排版装置 8 により版胴 1 1 から取り除かれ、ブランケット胴 1 2 上のブランケットはブランケット洗浄装置 1 4 により洗浄され、次の印刷可能な状態となる。

次に、インクジェット記録装置 2 について詳細に説明する。

- 10 図 2 に示されるように、本平版印刷装置に使用される描画部は、インクジェット記録装置 2、インク供給部 2 4 からなる。インク供給部 2 4 は、さらにインクタンク 2 5、インク供給装置 2 6、インク濃度制御手段 2 9 を有し、インクタンク 2 5 内にはインク攪拌手段 2 7、インク温度管理手段（インク温度制御手段）2 8 が含まれる。インクはヘッド内を循環させてもよく、この場合、インク供給部は回収循環機能も有する。インク攪拌手段 2 7 はインクの固形成分の沈殿・凝集を抑制し、インクタンクの清掃の必要性が低減される。インク攪拌手段としては、回転羽、超音波振動子、循環ポンプが使用でき、これらの中から、あるいは組み合わせて使用される。インク温度管理手段 2 8 は、周りの温度変化によりインクの物性が変化し、ドット径が変化したりすることなく高画質な画像が安定して形成できる様に配置される。インク温度管理手段としては、インクタンク内にヒーター、ヘルチェ素子等の発熱素子あるいは冷却素子を、該タンク内の温度分布を一定にするように攪拌手段と共に配し、温度センサ、例えばサーモスタット等により制御する等の公知の方法が使用できる。なお、インクタンク内のインク温度は 15℃以上 60℃以下が望ましく、より好ましくは 20℃以上 50℃以下である。また、タンク内の温度分布を一定に保つ攪拌手段は、前記のインクの固形成分の沈殿・凝集の抑制を目的とするインク攪拌手段と共用してもよい。

また、本印刷装置では、高画質な描画を行うためインク濃度制御手段 2 9 を有している。これによりインク中の固形分濃度の低下による版上での滲みの発生や印刷画像の飛びやカスレ、あるいは固形分濃度の上昇による版上のドット径の変

化等を有効に抑制することができる。インク濃度は光学的検出、電導度測定、粘土測定等の物性測定、あるいは描画枚数による管理等により行う。物性測定による管理を行う場合には、インクタンク内、又はインク流路内に、光学検出器、電導度測定器、粘土測定器を単独、あるいはそれらを組み合わせて設け、その出力信号により、また、描画枚数による管理を行う場合には、製版枚数、及び頻度によりインクタンクへ図示されない補給用濃縮インクタンク又は希釈用インクキャリアタンクからの液供給を制御する。

画像データ演算制御部 21 は前述のように、入力画像データの演算、また、ヘッド離接装置 31、あるいはヘッド副走査手段 32 によりヘッドの移動を行う他に、版胴に設置したエンコーダ 30 からのタイミングパルスを取り込み、そのタイミングパルスに従って、ヘッドの駆動を行う。これにより、副走査方向の位置精度を高められる。また、インクジェット記録装置による描画を行う際の版胴の駆動は、印刷時の駆動手段とは異なる高精度な駆動手段を使用することによっても副走査方向の位置精度を高められる。その際には、ブランケット胴、圧胴その他から機械的に切り離して、版胴のみを駆動させることが望ましい。具体的には、例えば高精度モータからの出力を高精度ギア、あるいはスチールベルト等により減速して版胴のみを駆動させる方法等がある。高画質描画を行う際にはこのような手段を単独、あるいは複数組み合わせて使用する。

次に、吐出ヘッドについて図 3～図 9 を使用して説明する。但し、本発明の内容は以下に示す形態に限定されるものではない。

図 3、図 4 はインクジェット記録装置に備えられているヘッドの一例である。ヘッド 22 は、絶縁性基材からなる上部ユニット 221 と下部ユニット 222 とで挟まれたスリットを有し、その先端は吐出スリット 22a となっており、スリット内には吐出電極 22b が配置され、インク供給装置から供給されたインク 23 がスリット内に満たされた状態になっている。絶縁性基材としては、例えばプラスチック、ガラス、セラミックス等が適用できる。また、吐出電極 22b は、絶縁性基材からなる下部ユニット 222 上にアルミニウム、ニッケル、クロム、金、白金等の導電性材料を真空蒸着、スパッタ、あるいは無電界メッキを行い、この上にフォトレジストを塗布し、所定の電極パターンを介してフォト

レジストを露光し、現像して吐出電極 2 2 b のフォトレジストパターンを形成した後、これをエッチングする方法、もしくは機械的に除去する方法、あるいはそれらを組み合わせた方法等、公知の方法により形成される。

5 ヘッド 2 2 では、画像のパターン情報のデジタル信号に従って、吐出電極 2 2 b に電圧が印加される。図 3 に示されるように、吐出電極 2 2 b に対向する形で対向電極となる版胴 1 1 が設置されており、対向電極となる版胴 1 1 上には版材 9 が設けられている。電圧の印加により、吐出電極 2 2 b と、対向電極となる版胴 1 1 との間には回路が形成され、ヘッド 2 2 の吐出スリット 2 2 a から油性インク 2 3 が吐出され対向電極となる版胴 1 1 上に設けられた版材 9 上に画像が形成される。

吐出電極 2 2 b の幅は、高画質の画像形成を行うためにその先端はできるだけ細いことが好ましい。具体的な数値は印加電圧、インク物質などの条件によって異なるが、通常 5 ~ 1 0 0 μm の先端幅の範囲で用いられる。

15 例えば先端が 2 0 μm 幅の吐出電極 2 2 b を用い、吐出電極 2 2 b と対向電極となる版胴 1 1 の間隔を 1 . 0 mm として、この電極間に 3 K V の電圧を 0 . 1 ミリ秒印加することで 4 0 μm のドットを版材 9 上に形成することができる。

さらに図 5、図 6 はそれぞれ、他の吐出ヘッドの例のインク吐出部近傍の断面概略図、前面概略図を示すものである。図中 2 2 は吐出ヘッドで、この吐出ヘッド 2 2 は漸減形状をした第 1 の絶縁性基材 3 3 を有している。上記第 1 の絶縁性
20 基材 3 3 には第 2 の絶縁性基材 3 4 が離間対向して設けられ、この第 2 の絶縁性基材 3 4 の先端部には斜面部 3 5 が形成されている。上記第 1、第 2 の絶縁性基材は、例えばプラスチック、ガラス、セラミックス等で形成されている。上記第 2 の絶縁性基材 3 4 の斜面部 3 5 と鋭角をなす上面部 3 6 には、吐出部に静電界を形成する静電界形成手段として複数の吐出電極 2 2 b が設けられている。これ
25 ら複数の吐出電極 2 2 b の先端部は上記上面部 3 6 の先端近傍まで延長され、かつ、その先端部は上記第 1 の絶縁性基材 3 3 よりも前方に突き出され吐出部を形成している。上記第 1 及び第 2 の絶縁性基材 3 3、3 4 間には前記吐出部へのインク 2 3 の供給手段としてインク流入路 3 7 が形成され、前記第 2 の絶縁性基材 3 4 の下部側にはインク回収路 3 8 が形成されている。上記吐出電極 2 2 b は、

第2の絶縁性基材34上にアルミニウム、ニッケル、クロム、金、白金等の導電性材料を用い、前述と同様、公知の方法により形成される。個々の電極22bは電気的には互いに絶縁状態となるように構成されている。

吐出電極22bの先端が絶縁性基材33の先端より突き出す量は2mm以下が好ましい。この突き出し量が上記範囲にて好ましい理由は、突き出し量が大きすぎるとインクメニスカスが吐出部先端まで届かず、吐出しにくくなったり、記録周波数が低下するためである。また、上記第1及び第2の絶縁性基材33、34間のスペースは0.1~3mmの範囲が好ましい。このスペースが上記範囲にて好ましい理由は、スペースが狭すぎるとインクの供給がしにくくなり吐出しにくくなったり、記録周波数が低下したりするためであり、スペースが広すぎるとメニスカスが安定せず吐出が不安定になるためである。

上記吐出電極22bは画像データ演算制御部21に接続され、記録を行う際には画像情報に基づき吐出電極に電圧印加を行うことにより該吐出電極上のインクが吐出し、吐出部と対向配置された図示されない版材上に描画が行われる。上記インク流入路37のインク滴吐出方向と逆方向は、図示しないインク供給装置の送インク手段に接続されている。上記第2の絶縁性基材34の吐出電極形成面の反対面にはバックング39が離間対向して設けられ、両者間にはインク回収路38が設けられている。前記インク回収路38のスペースは0.1mm以上が望ましい。このスペースが上記範囲にて好ましい理由は、スペースが狭すぎるとインクの回収がしにくくなり、インク漏れを起こしたりするためである。また、前記インク回収路38は図示しないインク供給装置のインク回収手段に接続されている。

吐出部上での均一なインクフローを必要とする場合には吐出部と前記インク回収路の間に溝40を設けてもよい。図6は吐出ヘッドのインク吐出部近傍の前面概略図を示しているが、第2の絶縁性基材34の斜面には吐出電極22bとの境界近傍からインク回収路38に向かって複数の溝40が設けられている。この溝40は、上記吐出電極22bの配列方向に複数並んでおり、吐出電極22b側の開口部から、その開口径に応じた毛細管力により一定量の吐出電極先端近傍のインクを導き、導かれたインクをインク回収路38に排出する機能を有する。この

ため、吐出電極先端近傍に一定の液厚を有するインクフローを形成する機能を有している。溝40の形状は毛細管力が働く範囲であればよいが、特に望ましくは幅は10～200 μm 、深さは10～300 μm の範囲である。また、溝40はヘッド全面にわたって均一なインクフローを形成できるように必要数設けられる。

- 5 吐出電極22bの幅は、高画質の画像形成を行うためにその先端はできるだけ細いことが好ましい。具体的な数値は、印加電圧、インク物質等の条件によって異なるが、通常5～100 μm の先端幅の範囲で用いられる。

また、本発明を実施するのに用いられる吐出ヘッドの他の例を図7、図8に示す。図7は説明のためヘッドの一部分のみを示した概略図である。記録ヘッド22は、図7に示すようにプラスチック、セラミック、ガラス等の絶縁性材料から作成されたヘッド本体41とメニスカス規制板42、42'からなる。図中、22bは吐出部に静電界を形成するために電圧印加を行う吐出電極である。さらにヘッドから規制板42、42'を取り除いた図8を用いて、ヘッド本体について詳述する。

- 15 ヘッド本体41にはヘッド本体のエッジに垂直に、インクを循環させるためのインク溝43が複数設けてある。このインク溝43の形状は均一なインクフローを形成できるように毛細管力が働く範囲に設定されていればよいが、特に望ましい幅は10～200 μm 、深さは10～300 μm である。インク溝43の内部には吐出電極22bが設けられている。この吐出電極22bは、絶縁性材料からなるヘッド本体40上にアルミニウム、ニッケル、クロム、金、白金等の導電性材料を使って、上述の装置実施例の場合と同様な公知の方法により、インク溝43内全面に配置してもよいし、一部分のみに形成してもよい。なお、吐出電極間は電氣的に隔離されている。隣り合う2つのインク溝は1つのセルを形成し、その中心にある隔壁44の先端部には吐出部45、45'を設けている。吐出部45、45'では隔壁は他の隔壁部分44に比べ薄くなっており、尖鋭化されている。
- 20 このようなヘッド本体は絶縁性材料ブロックの機械加工、エッチング、あるいはモールドイング等の公知の方法により作成される。吐出部での隔壁の厚さは望ましくは5～100 μm であり、尖鋭化された先端の曲率半径は5～50 μm の範囲であることが望ましい。なお、吐出部は45'の様に先端をわずかに面取

りされていてもよい。図中には2つのセルのみを示しているが、セルの間は隔壁46で仕切られ、その先端部47は吐出部45、45'よりも引込むように面取りされている。このヘッドに対し、図示されないインク供給装置の送インク手段によりI方向からインク溝を通してインクを流し、吐出部にインクを供給する。

5 さらに図示されないインク回収手段により余剰なインクはO方向に回収され、その結果、吐出部には常時、新鮮なインクが供給される。この状態で、吐出部に対向する形で設けられ、その表面に版材を保持した図示されない版胴に対して吐出電極に画像情報に応じて電圧印加することにより、吐出部からインクが吐出され版材上に画像が形成される。

10 さらに吐出ヘッドの他の実施例について図9を用いて説明する。図9に示すように、吐出ヘッド22は、略矩形板状の一对の支持部材50、50'を有している。これらの支持部材50、50'は、絶縁性を有する1~10mmの厚さの板状のプラスチック、ガラス、セラミック等から形成され、それぞれの一方の面には、記録解像度に応じて互いに平行に延びた複数の矩形の溝51、51'が形成されている。各溝51、51'は、幅10~200 μ m、深さ10~300 μ mの範囲であることが望ましく、その内部全体あるいは一部に吐出電極22bが形成されている。このように、支持部材50、50'の一面に複数の溝51、51'を形成することにより、各溝51の間には、複数の矩形の隔壁52が必然的に設けられる。各支持部材50、50'は、溝51、51'を形成していない面を対向させるように組合わされる。つまり、吐出ヘッド22は、その外周面上にインクを流通させるための複数の溝を有する。各支持部材50、50'に形成された溝51、51'は、吐出ヘッド22の矩形部分54を介して1対1に対応して連結され、各溝が連結された矩形部分54は、吐出ヘッド22の上端53より所定距離(50~500 μ m)だけ後退している。つまり、各矩形部分54の両側には、各支持部材50、50'の各隔壁52の上端55が矩形部分54より突出するように設けられている。そして、各矩形部分54から、前述したような絶縁性材料からなるガイド突起56が突出されて設けられ吐出部を形成している。

上記のように構成された吐出ヘッド22にインクを循環させる場合、一方の支持部材50の外周面に形成された各溝51を介して各矩形部分54にインクを供

- 給し、反対側の支持部材 50' に形成された各溝 51' を介して排出する。この場合、円滑なインクの流通を可能とするため、吐出ヘッド 22 を所定角度で傾斜させている。つまり、インクの供給側（支持部材 50）が上方に位置し、インクの排出側（支持部材 50'）が下方に位置するように吐出ヘッド 22 が傾斜されている。
- 5 このように、吐出ヘッド 22 にインクを循環させると、各矩形部分 54 を通過するインクが各突起 56 に沿って濡れ上がり、矩形部分 54、突起 56 の近くにインクメニスカスが形成される。そして、各矩形部分 54 にてそれぞれ独立したインクメニスカスが形成された状態で、吐出部に対向する形で設けられ、その表面に版材を保持した図示されない版胴に対して吐出電極 22b に画像情報
- 10 に基づき電圧を印加することにより、吐出部からインクが吐出され版材上に画像が形成される。なお、各支持部材 50、50' の外周面上に溝を覆うカバーを設けることにより、各支持部材 50、50' の外周面に沿ったパイプ状のインク流路を形成し、このインク流路によりインクを強制的に循環させてもよい。この場合、吐出ヘッド 22 を傾斜させる必要はない。
- 15 上述の図 3～図 9 に示すヘッド 22 は必要に応じて記録ヘッドクリーニング手段等のメンテナンス装置を含むこともできる。例えば休止状態が続く様な場合や、画質に問題が発生した場合には、吐出ヘッド先端を柔軟性を有するハケ、ブラシ、布等で拭う、インク溶媒のみを循環させる、インク溶媒のみを供給、あるいは循環させながら吐出部を吸引する、等の手段を単独、あるいは組み合わせて行うこと
- 20 により、良好な描画状態を維持できる。また、インクの固着防止にはヘッド部を冷却し、インク溶媒の蒸発を抑えることも有効である。さらに汚れがひどい場合には、吐出部から強制的にインク吸引するか、インク流路から強制的にエア、インク、又はインク溶媒のジェットを入れる、あるいはインク溶媒中にヘッドを浸漬した状態で超音波を印加する、等も有効であり、これらの方法を単独、ある
- 25 いは組み合わせて使用できる。

次に、本発明の具体例として機上描画複色片面平版印刷装置について説明する。

図 10 は、機上描画 4 色片面平版枚葉印刷装置の全体構成例である。図 10 に示されるように、該 4 色片面平版枚葉印刷装置は基本的に図 1 に示した単色片面印刷装置の版胴 11、ブランケット胴 12、圧胴 13 を印刷用紙 P の同じ面に印

- 刷が行われるようにそれぞれ4個ずつ有する構造である。なお、図示はしていないが、図中Kで示す印刷用紙の隣接圧胴間での受け渡しには、公知の渡し胴方式等を使用する。詳細な説明は省くが図10の例から容易にわかるように、その他の複色片面印刷装置も基本的に単色片面印刷装置の版胴11、ブランケット胴12、圧胴13を印刷用紙Pの同じ面に印刷が行われるように複数個ずつ有するような構造であり、版胴に1色分の版のみを作成する場合には印刷する色数分だけ版胴、ブランケット胴を有する。(このような印刷装置をユニット型印刷装置と称する。)一方、複数色分の版胴、ブランケット胴に対し、版胴直径の整数倍の直径を有する一つの圧胴を共有する共通圧胴型印刷装置で本発明を実施する場合は、
- 5 印刷する色数分の版胴、ブランケット胴で一つの圧胴を共有する構造でもよいし、複数色分の版胴、ブランケット胴で一つの圧胴を共有する構造を複数個有し、版胴、ブランケット胴の総数が印刷する色数分あるような構造でもよい。この場合の隣接する共通圧胴間の印刷用紙の受け渡しは、前記公知の渡し胴方式等を使用できる。
- 10 一方、版胴に複数色の版を作成する場合には、印刷する色数を一版胴上の版数で割った値だけ版胴、ブランケット胴が必要となる。例えば版胴上に2色分の版材を作成した場合には、版胴、ブランケット胴を2つずつ有する印刷装置により片面4色印刷が可能となる。この場合、圧胴直径は1色分の版胴径と同じとし、圧胴には必要に応じて必要色分の印刷が終わるまで印刷用紙を保持しておく手段
- 15 を設置し、圧胴間での印刷用紙の受け渡しには、公知の渡し胴方式等を使用する。上述の2色分の版材を作成した版胴とブランケット胴を2つずつ有する印刷機の場合、一方の圧胴が印刷用紙を保持して2回転すると2色印刷が行われ、次に圧胴間での印刷用紙の受け渡しが行われ、次に他方の圧胴が印刷用紙を保持して2回転するとさらに2色印刷が行われ4色印刷が完成する。また、圧胴は版胴と同
- 20 数でもよいが、幾つかの版胴、ブランケット胴で一つの圧胴を共有してもよい。
- 一方、機上描画複色両面平版枚葉印刷装置として本発明を実施する場合には、上述したユニット型印刷装置の少なくとも一つの隣接圧胴間に公知の印刷用紙反転手段を設ける構造か、上述した共通圧胴型印刷装置を複数個配置し、少なくとも一つの隣接圧胴間に公知の印刷用紙反転手段を設ける構造か、図1に示した単

色片面印刷装置の版胴 1 1、ブランケット胴 1 2 を印刷用紙 P の両面に印刷が行われるように複数個有するような構造とする。図 1 に示される構造では、版胴に 1 色分の版のみを作成する場合、印刷用紙の両面に印刷するのに必要な色数分だけ版胴、ブランケット胴を有する。一方、上述のように版胴に複数色の版を作成

5 する場合には、版胴、ブランケット胴、圧胴の数は減らすことができる。また、幾つかの版胴、ブランケット胴で一つの圧胴を共有した場合には、圧胴の数をさらに減らすことができる。圧胴には必要に応じて必要色分の印刷が終わるまで印刷用紙を保持しておく手段を設置する。詳細については上述の機上描画複色片面平版印刷機の例により容易に理解できるため省略する。

- 10 以上、本発明の機上描画複色平版印刷装置の実施形態として枚葉印刷装置の例を述べた。一方、機上描画複色 W E B（巻取紙）平版印刷装置として本発明を実施する場合は、上述のユニット型、共通圧胴型が好適に使用できる。また、機上描画複色 W E B 両面印刷装置として本発明を実施する場合には、ユニット型、共通圧胴型共に、少なくとも 1 つの隣接する圧胴間に公知の W E B 反転手段を設ける
- 15 構造、印刷用紙 P の両面に印刷が行われるように複数個有するような構造で達成できる。また、機上描画複色 W E B 両面印刷装置として最も好適なものは B B（ブランケット・トゥ・ブランケット）型である。これは W E B の一方の面を印刷するための 1 色分の版胴、ブランケット胴（圧胴なし）と他方の面を印刷する 1 色分の版胴、ブランケット胴（圧胴なし）のブランケット胴同士が印刷時に圧
- 20 接する構造を色数分有し、印刷時に圧接したブランケット間を W E B が通過することで多色の両面印刷が達成される。

また、機上描画平版印刷装置の他の例としては、ブランケット胴 1 つあたり版胴を 2 つ有し、一方で印刷を行っている際、もう一方の版胴で描画を行うこともできる。この場合には描画を行っている版胴の駆動は機械的にブランケットから

25 独立されることが望ましい。これにより、印刷機を休止させることなく描画を行うことが可能になる。なお、容易に理解されるように、この機上描画平版印刷装置は、機上描画複色片面平版印刷装置、機上描画複色両面平版印刷装置にも適用することができる。

本発明のインクジェット記録方法を用いた製版方法について説明する。

本発明の製版方法を実施するのに用いられる製版装置の構成例を以下に示す。

図 1 1 A 及び図 1 1 B は、製版装置の全体構成図である。図 2 は製版装置の制御部、インク供給部、ヘッド離接機構を含めた描画部の概略構成例である。また図 3 ~ 図 9 は、図 1 1 A 及び図 1 1 B の製版装置が具備するインクジェット描画装置を説明するためのものである。

まず、図 1 1 A に示すように版材を描画ドラム 1 1 に装着した構造を有する製版装置の全体構成図を用いて本発明による製版工程について説明する。ただし本発明は以下の構成例に限定されるものではない。

ドラム 1 1 は、通常、アルミニウム、ステンレスや鉄などの金属、プラスチック、硝子等で形成される。特に金属製ドラムの場合にはその表面は耐摩耗性や防錆性を強化するために例えばアルマイト処理やクロムメッキが施されていることが多い。ドラム 1 1 は後述のようにその表面に断熱材を有してもよい。また、ドラム 1 1 は静電界吐出において、吐出ヘッド電極の対極としてアース機能を有することが好ましい。一方、版材の基体の絶縁性が高い場合には基体上に導電層を設けることが好ましく、この場合にはこの導電層にアースを取る手段を設けることが望ましい。さらに前述のようにドラム 1 1 上に断熱材を設ける場合にも、版材にアースを取る手段を設けることにより描画は容易になる。この場合には公知の導電性を有するブラシ、板バネ、ローラ等の手段を使用できる。

さらに、製版装置 1 はインクジェット描画装置 2 を有し、これにより、画像データ演算制御部 2 1 より送られてくる画像データに対応して、ドラム 1 1 上に装着された版材 9 上に油性インクを吐出し画像を形成する。

また、製版装置 1 は、版材 9 上に描画された油性インク画像を強固にするための定着装置 5 を有する。必要によって、版材 9 表面の親水性強化の目的で用いる版面不感脂化装置 6 を設置してもよい。また、製版装置 1 は、版材 9 への描画前及び／又は描画中に版材 9 表面に存在する埃を除去する埃除去手段 1 0 を有する。これにより、製版中にヘッドと版材の間に入った埃を伝ってインクが版材 9 上に付着することを有効に防止し、良好な製版が行われる。埃除去手段 1 0 としては公知の吸引除去、吹き飛ばし除去、静電除去等の非接触法その他、ブラシ、ローラ等による接触法が使用でき、本発明では望ましくはエア吸引、またはエア

による吹き飛ばしのいずれか、あるいはそれらを組み合わせて使用することができる。

- さらに、版材 9 をドラム 1 1 上に自動的に供給する自動給版装置 7、および描画終了後の版材 9 をドラム 1 1 上から自動的に取り除く自動排版装置 8 を設置してもよい。自動給版装置 7 及び自動排版装置 8 を用いることで、製版操作がより簡便となり、また製版時間の短縮が図られることから、本発明の効果をより一層高められる。

図 1 1 A、及び一部図 2 を参照して製版装置 1 による刷版の作成工程を以下に説明する。

- 10 まず、ドラム 1 1 に自動給版装置 7 を用いて版材 9 を装着する。この時、公知の版頭／尻くわえ装置、エア吸引装置などによる機械的方法、あるいは静電的な方法等により版材 9 はドラム 1 1 上に密着固定され、これにより版尻がばたついて描画時にインクジェット描画装置 2 に接触し破損する事を防止できる。またインクジェット描画装置 2 の描画位置周辺のみで版材 9 をドラム 1 1 に密着させる手段を配し、少なくとも描画を行う時にはこれを作用させることによって版材 9 がインクジェット描画装置 2 に接触する事を防止することもできる。具体的には例えばドラム 1 1 上の描画位置の上流、及び下流に押さえローラを配する等の方法がある。さらに描画を行わない場合には、ヘッドを版材から離しておくことが望ましく、それによってインクジェット描画装置 2 に接触破損等の不具合が発生
- 15
- 20 することを有効に防止できる。

- 画像データ演算制御部 2 1 は、画像スキャナ、磁気ディスク装置、画像データ伝送装置等からの画像データを受け、必要に応じて色分解を行うと共に、分解されたデータに対して適当な画素数、階調数に分割演算する。さらに、インクジェット描画装置 2 が有するインクジェット吐出ヘッド 2 2 (図 3 参照、後に詳述する。) を用いて油性インク画像を網点化して描くために、網点面積率の演算も行う。
- 25
- また、後述するように、画像データ演算制御部 2 1 は、インクジェット吐出ヘッド 2 2 の移動、油性インクの吐出タイミングを制御すると共に、必要に応じてドラム 1 1 等の動作タイミングの制御も行う。

画像データ演算制御部 2 1 に入力された演算データは一旦バッファに格納され

る。画像データ演算制御部 2 1 は、ドラム 1 1 を回転させ、吐出ヘッド 2 2 をヘッド離接装置 3 1 によりドラム 1 1 と近接された位置に近づける。吐出ヘッド 2 2 とドラム 1 1 上の版材 9 表面との距離は、付き当てローラのような機械的距離制御、あるいは光学的距離検出器からの信号によるヘッド離接装置の制御により、

5 描画中、所定距離に制御される。かかる距離制御により、版材の浮きなどによりドット径が不均一になったり、特に製版機に振動が加わった際などにもドット径が変化したりせず、良好な製版を行うことができる。

描画はドラム 1 1 の回転により主走査を行う。吐出部の配列方向はドラム 1 1 の軸方向に設定する。画像データ演算制御部 2 1 によりドラム 1 1 一回転毎に吐出ヘッド 2 2 をドラム 1 1 の軸方向に移動して、上記演算により得られた吐出位置および網点面積率で油性インクをドラム 1 1 に装着した版材 9 に吐出する。これにより、版材 9 には、印刷原稿の濃淡に応じた網点画像が油性インクで描画される。この動作は、版材 9 上に印刷原稿一色分の油性インク画像が形成され刷版

10 ができあがるまで続く。

15 ついで吐出ヘッド 2 2 を保護するために吐出ヘッド 2 2 は、ドラム 1 1 と近接された位置から離れるように退避させられる。この離接手段は描画時以外は吐出ヘッドをドラムに対し少なくとも 5 0 0 μm 以上離すように動作する。離接動作はスライド式にしても良いし、ある軸に固定されたアームで吐出ヘッド 2 2 を固定し、軸まわりにアームを動かし振り子状に移動しても良い。このように非描画

20 時に吐出ヘッド 2 2 を退避させることにより、吐出ヘッド 2 2 を物理的破損あるいは汚染から保護し、長寿命化を達成する事が出来る。

また、形成された油性インク画像は、定着装置 5 により強化される。インクの定着手段としては、加熱定着、溶媒定着などの公知の手段が使用できる。加熱定着では赤外線ランプ、ハロゲンランプ、キセノンフラッシュランプ照射、あるいはヒーターを利用した熱風定着、ヒートロール定着が一般的である。この場合には定着性を高めるために、ドラムを加熱しておく、版材 9 を予め加熱しておく、熱風を当てながら描画を行う、ドラム 1 1 を断熱材でコートする、定着時にはドラム 1 1 から版材 9 を離して、版材 9 のみを加熱する、等の手段を単独、あるいは組み合わせるとることが有効である。キセノンランプ等を使用してのフラッシュ

25

エ定着は電子写真トナーの定着法として公知であり、定着を短時間に行えるという利点がある。また紙版材を用いた場合には、急激な温度上昇により版材内部の水分が急激に蒸発し、版材表面に凹凸が発生するブリスターと呼ばれる現象が生じるため、紙版材が徐々に昇温するように、ドラム 11 を回転させながら熱源への電力供給を徐々に高めることや、電力供給一定で回転速度を高速から低速へと変化させることが好ましい。またドラム 11 の回転方向に複数個の定着器を配置し、それらの版材 9 までの距離及び／又は供給電力を変えることにより、紙版材が徐々に昇温するようにしても良い。

5 溶媒定着ではメタノール、酢酸エチル等のインク中の樹脂成分を溶解しうる溶媒を噴霧または蒸気の暴露をし、余分な溶媒蒸気は回収する。

10 なお、少なくとも吐出ヘッド 22 による油性インク画像形成から、定着装置 5 による定着までの行程では、版材 9 上の画像には何物も接触しないように保たれることが望ましい。

15 また、版材 9 を走行させることにより副走査を行う製版装置の構成例を図 2 を用いて説明する。ただし本発明は以下の構成例に限定されるものではない。

20 版材 9 は、2 対のキャップスタンローラ 12 により挟持搬送され、画像データ演算制御部 21 により適当な画素数、階調数に分割演算されたデータを用いてインクジェット描画装置 2 により描画される。インクジェット描画装置 2 により描画がなされる部位では、静電界吐出において、吐出ヘッド電極の対極となるためのアース手段 13 が設けられることが好ましく、これにより描画は容易になる。

一方、版材 9 の基体の絶縁性が高い場合には基体上に導電層を設けることが好ましく、この場合には公知の導電性を有するブラシ、板バネ、ローラ等の手段によりこの導電層にアースを取ることが望ましい。

25 また図 11B ではシート版材を用いる装置を示しているが、ロール版材も好適に使用され、この場合には自動排版装置の上流に、シートカッターを具備することが望ましい。

さらに、製版装置はインクジェット描画装置 2 を有し、これにより、画像データ演算制御部 21 より送られてくる画像データに対応して、版材 9 上に油性インクを吐出し画像を形成する。

また、製版装置 1 は、版材 9 上に描画された油性インク画像を強固にするための定着装置 5 を有する。版材 9 表面の親水性強化の目的で必要に応じて用いる版面不感脂化装置 6 を設置してもよい。また、製版装置 1 は、版材 9 への描面前及び／又は描画中に版材表面に存在する埃を除去する埃除去手段 10 を有する。これにより、製版中に吐出ヘッドと版材の間に入った埃を伝ってインクが版材上に付着することを有効に防止し、良好な製版が行われる。埃除去手段 10 としては公知の吸引除去、吹き飛ばし除去、静電除去等の非接触法その他、ブラシ、ローラ一等による接触法が使用でき、本発明では望ましくはエアー吸引、またはエアーによる吹き飛ばしのいずれか、あるいはそれらを組み合わせて使用することができる。

さらに、版材 9 を自動的に供給する自動給版装置 7、および描画終了後の版材 9 を自動的に取り除く自動排版装置 8 を設置する事が好ましい。自動給版装置 7 及び自動排版装置 8 を用いることで、製版操作がより簡便となり、また製版時間の短縮が図られることから、本発明の効果をより一層高められる。

図 11B、及び一部図 2 を参照して製版装置 1 による刷版の作成工程を以下に更に詳細に説明する。

まず、自動給版装置 7 及びキャップスタンローラ 12 を用いて版材 9 を搬送する。この時、必要に応じて、図示されない版材ガイド手段等を設けることにより、版材の版頭／尻がばたついてインクジェット描画装置 2 に接触し破損する事を防止できる。またインクジェット描画装置 2 の描画位置周辺のみで版材 9 が弛まないようにする手段を配し、少なくとも描画を行う時にはこれを作用させることによって版材 9 がインクジェット描画装置 2 に接触する事を防止することもできる。具体的には例えば描画位置の上流、及び下流に押さえローラを配する等の方法がある。さらに描画を行わない場合には、吐出ヘッドを版材 9 から離しておくことが望ましく、それによってインクジェット描画装置 2 に接触破損等の不具合が発生することを有効に防止できる。

磁気ディスク装置等からの画像データは、画像データ演算制御部 21 に与えられ、画像データ演算制御部 21 は、入力画像データに応じて油性インクの吐出位置、その位置における網点面積率の演算を行う。これらの演算データは一旦バッ

ファに格納される。

画像データ演算制御部 2 1 は、吐出ヘッド 2 2 の移動、油性インクの吐出タイミング制御、キャップスタンローラの動作タイミング制御を行うと共に、必要に応じて吐出ヘッド 2 2 をヘッド離接装置 3 1 により版材 9 と近接された位置に近づける。

吐出ヘッド 2 2 と版材 9 表面との距離は、付き当てローラのような機械的距離制御、あるいは光学的距離検出器からの信号によるヘッド離接装置の制御により、描画中、所定距離に保たれる。かかる距離制御により、版材の浮きなどによりドット径が不均一になったり、特に製版機に振動が加わった際などにもドット径が変化したりせず、良好な製版を行うことができる。

吐出ヘッド 2 2 としてはシングルチャンネルヘッド、マルチチャンネルヘッド、あるいはフルラインヘッドを使用することができ、版材 9 の搬送により副走査を行う。複数の吐出部を有するマルチチャンネルヘッドの場合には吐出部の配列方向を版材の走行方向と略平行に設定する。さらにシングルチャンネルヘッドあるいはマルチチャンネルヘッドの場合には、画像データ演算制御部 2 1 により版材移動毎に吐出ヘッド 2 2 を版材 9 の走行方向と直交方向に移動して、上記演算により得られた吐出位置および網点面積率で油性インクを版材 9 に吐出する。これにより、版材 9 には、印刷原稿の濃淡に応じた網点画像が油性インクで描画される。この動作は、版材 9 上に印刷原稿一色分の油性インク画像が形成され刷版ができあがるまで続く。一方、吐出ヘッド 2 2 が版材 9 の幅と略同じ長さを有するフルラインヘッドである場合には、吐出部の配列方向を版材の走行方向と略直交する方向に設定し、版材 9 が描画部を通過することによって版材 9 上に印刷原稿一色分の油性インク画像が形成され刷版ができあがる。

吐出ヘッド 2 2 を保護するために吐出ヘッド 2 2 は、版材 9 と近接された位置から離れるように退避させられることが好ましい。この離接手段は描画時以外は吐出ヘッドを版材 9 に対し少なくとも 500 μm 以上離すように動作する。離接動作はスライド式にしても良いし、ある軸に固定されたアームで吐出ヘッドを固定し、軸まわりにアームを動かし振り子状に移動しても良い。このように非描画時に吐出ヘッドを退避させることにより、吐出ヘッドを物理的破損あるいは汚染

から保護し、長寿命化を達成する事が出来る。

また、形成された油性インク画像は、定着装置 5 により強化される。インクの定着手段としては、加熱定着、溶媒定着などの公知の手段が使用できる。加熱定着では赤外線ランプ、ハロゲンランプ、キセノンフラッシュランプ照射、あるいはヒーターを利用した熱風定着、ヒートロール定着が一般的である。キセノンランプ等を使用してのフラッシュ定着は電子写真トナーの定着法として公知であり、定着を短時間に行えるという利点がある。また紙版材を用いた場合には、急激な温度上昇により版材内部の水分が急激に蒸発し、版材表面に凹凸が発生するプリスターと呼ばれる現象が生じるため、複数の定着器を配置し、紙版材が徐々に昇温するように、電力供給及び／又は定着器の版材 9 までの距離を変えることが、版材 9 のプリスターを防止する上で好ましい。

溶媒定着ではメタノール、酢酸エチル等のインク中の樹脂成分を溶解しうる溶媒を噴霧または蒸気の暴露をし、余分な溶媒蒸気は回収する。

なお、少なくとも吐出ヘッド 2 2 による油性インク画像形成から、定着装置 5 による定着までの行程では、版材 9 上の画像には何物も接触しないように保たれることが望ましい。

得られた印刷版は、公知の平版印刷方法により印刷される。すなわち、この油性インク画像が形成された刷版を印刷機に装着し、印刷インキおよび湿し水を与え印刷インキ画像を形成し、この印刷インキ画像を版胴と共に回転しているブランケット胴上に転写し、ついでブランケット胴と圧胴との間を通過する印刷用紙上にブランケット胴上の印刷インキ画像を転移させることで一色分の印刷が行われる。印刷終了後の刷版は、版胴から取り除かれ、ブランケット胴上のブランケットはブランケット洗浄装置により洗浄され、次の印刷可能な状態となる。

尚、インクジェット描画装置 2 については前述した図 2 に記載したものと同様であるので説明は省略する。

本発明のインクジェット記録方法を用いた印刷方法について説明する。

本発明のインクジェット印刷方法を実施するのに用いられる印刷装置の構成例を以下に示す。ただし、本発明は以下の構成例に限定されるものではない。

図 1 4 ~ 図 2 1 は、本発明にかかる対向ドラムの回転により印刷媒体を移動す

ることにより描画を行なう印刷装置の概略構成例を示す図である。

図14～図17はロール状印刷媒体を対向ドラムと印刷媒体供給ロール及び印刷媒体巻き取りロール或いはガイドロールで張架したWeb式印刷装置の概略構成例を示す図である。図14は片面単色、図15は片面4色の印刷を行なうWeb式装置であり、図16及び図17は両面4色印刷装置の概略構成例を示す図である。

また、図18はロール状印刷媒体をカットして、対向ドラムに巻き付け印刷を行なう片面4色印刷装置の概略構成例を示す図であり、図19はシート状記録媒体を用いた印刷装置の概略構成例を示す図である。

10 一方、図20及び図21は、さらに本発明にかかるキャップスタンローラにより印刷媒体を挟持して走行させることにより描画を行なう印刷装置の概略構成例を示す図であり、このうち図20はロール状印刷媒体を用いた印刷装置、図21はシート状記録媒体を用いた印刷装置の概略構成例を示す図である。

15 まず、図14に示すロール状印刷媒体に片面1色印刷を行なう装置の全体構成図を用いて本発明による印刷工程について説明する。

20 図14に示される、インクジェット印刷装置（以下「印刷装置」ともいう）は、ロール状印刷媒体の供給ロール101、埃・紙粉除去装置102、描画装置103、描画装置103と印刷媒体を介して対向する位置に配置された対向（描画）ドラム104、定着装置105、及び印刷媒体巻き取りロール106から構成される。

25 供給ロールから送り出された印刷媒体上の埃等を埃・紙粉除去装置102で除去した後、該印刷媒体上に、描画装置103のインク吐出部（後述）から描画ドラム104上の印刷媒体へ向けてインクが画像様に吐出され、印刷画像が記録される。この画像を定着装置105を用いて印刷媒体上に定着させた後、印刷済みの印刷媒体が印刷媒体巻き取りロール106に巻き取られる。

対向（描画）ドラム104は、インク吐出部の吐出電極に対して、対向電極とするため金属製ロール又は表面に導電性ゴム層を有するロール又はプラスチック、硝子、セラミック等の絶縁性ドラム表面に蒸着、メッキ等により金属層を設けたもの等を用いる。これにより、描画装置103の吐出部との間で有効な電界を形

成できる。また、描画ドラム104に加熱手段を設け、ドラム温度を高めることも描画画質の向上に有効である。吐出されたインク液滴の印刷媒体上での速やかな定着を促進するためより一層滲みが抑制される。

5 また、ドラム温度を一定とすることで、印刷媒体上の吐出されたインク液滴の物性値が制御され、安定で均質なドット形成が可能となる。ドラム温度を一定化するために、冷却手段を兼ね備えることがより好ましい。

埃・紙粉等の除去手段としては公知の吸引除去、吹き飛ばし除去、静電除去等の非接触法その他、ブラシやローラー等による接触法が使用できる。

10 本発明では望ましくはエアー吸引、あるいはエアーによる吹き飛ばしのいずれか、あるいはそれらを組み合わせて使用される。

さらに、描画装置103は、図2のようなインクジェット記録装置2を有している。インクジェット記録装置の説明は前述したとおりであるのでここではその説明を省略する。

図14及び図2を参照して印刷装置による印刷工程を以下に詳細に説明する。

15 印刷媒体供給ロールから送り出された印刷媒体は、印刷媒体巻き取りロールの駆動によりテンションが与えられ、描画（対向）ドラム上に当接する。これにより、印刷媒体ウェブが振動して描画時にインクジェット記録装置に接触し破損することを防止できる。

20 また、インクジェット記録装置の描画位置周辺のみで印刷媒体を描画（対向）ドラムに密着させる手段を配し、少なくとも描画を行う時にはこれを作用させることによって、印刷媒体がインクジェット記録装置に接触することを防止することもできる。具体的には、例えば描画ドラムの描画位置の上流及び下流に押さえローラを配する、ガイド、静電吸着を利用するなどが有効である。

25 磁気ディスク装置等からの画像データは、画像データ演算制御部21に与えられ、画像データ演算制御部21は、入力画像データに応じて油性インクの吐出位置、その位置における網点面積率の演算を行う。これらの演算データは一旦バッファに格納される。画像データ演算制御部21は、吐出ヘッド22をヘッド離接装置31により、描画ドラムと当接する印刷媒体と近接させた位置に近づける。吐出ヘッド22と描画ドラム表面との距離は、付き当てローラーのような機械的距

離制御、あるいは光学的距離検出器からの信号によるヘッド離接装置の制御により、描画中、所定距離に保たれる。吐出部の配列方向は印刷媒体の走行方向と略平行に設置し、吐出ヘッドの前記対向ドラムの軸方向の移動により主走査を、前記対向ドラムの回転により副走査を行い印字を行なう。以上の対向ドラム及び吐出ヘッドの移動制御は、画像データ演算制御部 21 により行われ、吐出ヘッドは上記演算により得られた吐出位置および網点面積率で油性インクを印刷媒体上に吐出する。これにより、印刷媒体には、印刷原稿の濃淡に応じた網点画像が油性インクで描画される。この動作は、印刷媒体上に所定のインク画像が形成されるまで続く。

- 5 印刷終了後は、必要に応じて、吐出ヘッド 22 を保護するために吐出ヘッド 22 は、描画ドラムと近接された位置から離れるように退避させられる。この時、吐出ヘッド 22 のみを離接しても良いが、吐出ヘッド 22 とインク供給部 24 とを一緒に離接することもできる。

- 15 この離接手段は、描画時以外は記録ヘッドを描画ドラムに対し少なくとも 500 μm 以上離すように動作する。離接動作はスライド式にしても良いし、ある軸に固定されたアームでヘッドを固定し、軸まわりにアームを動かし振り子状に移動してもよい。このように非描画時にヘッドを退避させることにより、ヘッドを物理的破損、あるいは汚染から保護し、長寿命化を達成することができる。

- 20 また、形成された油性インク画像は、定着装置 105 により強化される。インクの定着手段としては、加熱定着、溶媒定着などの公知の手段が使用できる。加熱定着では赤外ランプ、ハロゲンランプ、キセノンフラッシュランプ照射、あるいはヒーターを利用した熱風定着、ヒートロール定着が一般的である。キセノンランプ等を使用してのフラッシュ定着は電子写真トナーの定着法として公知であり、定着を短時間に行えるという利点がある。またラミネート紙を用いた場合には、急激な温度上昇により紙内部の水分が急激に蒸発し、紙表面に凹凸が発生するブリストアと呼ばれる現象が生じるため、複数の定着器を配置し、紙が徐々に昇温するように、電力供給及び／又は定着器の記録媒体までの距離を変えることが、ブリストアを防止する上で好ましい。

溶媒定着ではメタノール、酢酸エチル等のインク中の樹脂成分を溶解しうる溶

媒を噴霧又は蒸気の暴露をし、余分な溶媒蒸気は回収する。なお、少なくとも吐出ヘッド22による油性インク画像形成から、定着装置105による定着までの行程では、印刷媒体上の画像には何物も接触しないように保たれることが望ましい。

5 図15～図17は片面及び両面4色印刷装置の構成例であるが、その動作原理等、上記の片面単色印刷装置の説明から容易に理解されるため、説明は省略する。

またここでは4色印刷装置の構成例を示したが、これに限定されるものではなく、色数は必要に応じて任意に決定される。

10 図18および図19は本発明にかかる別の構成例であり、自動排出装置107を有し、印刷媒体を対向ドラムに巻き付けて使用する印刷装置の説明図である。図19は自動供給装置109を有するシート状印刷媒体を用いた装置構成例である。ここでは、図18のロール状印刷媒体を用いた装置構成例を用いて説明する。

15 まず、対向ドラムに印刷媒体供給ロール101により引き出され、カッター8で任意の大きさにカットされた印刷媒体を装着する。この時、公知のシート頭/尻くわえ装置、エア吸引装置などによる機械的方法、あるいは静電的な方法等により印刷媒体はドラム上に密着固定され、これにより紙尻がばたついて描画時にインク吐出描画装置103に接触し破損することを防止できる。

20 また、インク吐出描画装置の描画位置周辺のみで印刷媒体をドラムに密着させる手段を配し、少なくとも描画を行なう時にはこれを作用させることによって印刷媒体がインクジェット記録装置に接触することを防止することもできる。具体的には例えば対向ドラムの描画位置の上流及び下流に押さえローラを配する等の方法がある。

25 さらに、描画を行わない場合には、ヘッドを印刷媒体から離しておくことが望ましく、それによってインク吐出描画装置に接触破損等の不具合が発生することを有効に防止できる。

対向ドラム104の回転により主走査を行なう。吐出部の配列方向は対向ドラム104の軸方向に設置する。

画像データ演算制御部21によりヘッド22を対向ドラムの軸方向に連続的或いは逐次的に移動して、画像データ演算制御部21の演算により得られた吐出位

置および網点面積率で油性インクをドラム 1 1 に装着した印刷媒体に吐出する。これにより、印刷媒体上には、印刷原稿の濃淡に応じた網点画像が油性インクで描画される。この動作は、印刷媒体上に所定の油性インク画像が形成されるまで続く。

5 ここでは片面 4 色印刷機の構成例を示したが、本発明はこれに限定されるものではなく、色数及び片面／両面印刷は必要に応じて装置構成は任意に決定される。

一方、図 2 0 及び図 2 1 は、さらに本発明に係るキャップスタンローラにより印刷媒体を挟持して走行させることにより描画を行なう印刷装置の概略構成例を示す図であり、図 2 0 はロール状印刷媒体を用いた印刷装置、図 2 1 はシート状

10 記録媒体を用いた印刷装置の概略構成例を示す図である。

ここでは、図 2 0 に示すロール状印刷媒体に片面 4 色印刷を行なう装置の全体構成図を用いて説明する。印刷媒体 M は 2 対のキャップスタンローラ 1 1 0 により挟持されて搬送され、画像データ演算制御部（図 2 の 2 1）により適当な画素数、階調数に分割演算されたデータを用いてインク吐出描画装置 1 0 3 により描

15 画される。インク吐出描画装置 1 0 3 により描画がなされる部位では、静電界吐出において、吐出ヘッド電極の対極となるためのアース手段 1 1 1 が設けられることが好ましく、これにより描画は容易になる。

また、図 2 0 ではロール状印刷媒体のカットのため、自動排出装置 1 0 7 の上流に、シートカッター 1 0 8 を有しているが、シートカッターは任意の場所に配

20 置できる。

次に、図 2 0 を参照して本発明の印刷装置による印刷物の作成工程を以下に更に詳細に説明する。

まず、キャップスタンローラ 1 1 0 を用いて印刷媒体を搬送する。この時、必要に応じて、図示されない印刷媒体ガイド手段を設けることにより、印刷媒体の

25 頭／尻がばたついてインク吐出描画装置 1 0 3 に接触し破損することを防止できる。またインク吐出描画装置の描画位置周辺のみで印刷媒体をたるまないようにする手段を配し、少なくとも描画を行なう時にはこれを作用させることによって印刷媒体がインク吐出描画装置に接触することを防止することもできる。具体的には例えば描画位置の上流及び下流に押さえローラを配する等の方法がある。

さらに、描画を行わない場合には、ヘッドを印刷媒体から離しておくことが望ましく、それによってインク吐出描画装置に接触破損等の不具合が発生することを有効に防止できる。

5 磁気ディスク装置等からの画像データは、図2の画像データ演算制御部21に与えられ、画像データ演算制御部21は、入力画像データに応じて油性インクの吐出位置、その位置における網点面積率の演算を行う。これらの演算データは一旦バッファに格納される。

10 画像データ演算制御部21は、インクジェットヘッド22の移動、油性インクの吐出タイミング制御、キャップスタンローラの動作タイミング制御を行なうと共に必要に応じて吐出ヘッド22をヘッド離接装置31により印刷媒体と近接させた位置に近づける。吐出ヘッド22と印刷媒体表面との距離は、付き当てローラのような機械的距離制御、あるいは光学的距離検出器からの信号によるヘッド
15 離接装置の制御により、描画中、所定距離に保たれる。かかる距離制御により、印刷媒体の浮きなどによりドット径が不均一になったり、特に印刷装置に振動が加わった際などにもドット径が変化したりせず、良好な印刷を行なうことができる。

印刷媒体の搬送により副走査を行なう。吐出部の配列方向は印刷媒体の走行方向と略平行に設置する。画像データ演算制御部21によりヘッド22を印刷媒体の走行方向と直角方向に移動して、上記演算により得られた吐出位置および網点
20 面積率で油性インクを吐出する。これにより、印刷媒体上には、印刷原稿の濃淡に応じた網点画像が油性インクで描画される。この動作は、印刷媒体上に所定の油性インク画像が形成されるまで続く。印字された印刷媒体は定着装置5により定着を行い、自動排出装置により排出される。

25 ここでは片面4色印刷機の構成例を示したが、本発明はこれに限定されるものではなく、色数及び片面/両面印刷は必要に応じて任意に決定される。

尚、インク吐出描画装置については、上述のように図2において説明済みであるので、ここでは省略する。

次に、本発明に用いられる版材（印刷原版）について説明する。

印刷原版としては、アルミ、クロムメッキを施した鋼板などの金属版が挙げら

れる。特に砂目立て、陽極酸化処理により表面の保水性および耐摩耗性が優れるアルミ版が好ましい。より安価な版材として、耐水性を付与した紙、プラスチックフィルム、プラスチックをラミネートした紙などの耐水性支持体上に画像受理層を設けた版材が使用できる。この版材の膜厚は100～300 μm の範囲が適当であり、そのうち設けられる画像受理層の厚さは5～30 μm の範囲が適当である。

画像受理層としては、無機顔料と結着剤からなる親水性層、あるいは不感脂化処理によって親水化が可能になる層を用いることができる。

10 親水性の画像受理層に用いられる無機顔料は、クレー、シリカ、炭酸カルシウム、酸化亜鉛、酸化アルミニウム、硫酸バリウムなどを用いることができる。また結着剤としてはポリビニルアルコール、澱粉、カルボキシメチルセルロース、ヒドロキシエチルセルロース、カゼイン、ゼラチン、ポリアクリル酸塩、ポリビニルピロリドン、ポリメチルエーテル無水マレイン酸共重合体等の親水性結着剤が使用できる。また、必要に応じて耐水性を付与するメラミンホルマリン樹脂、
15 尿素ホルマリン樹脂、その他架橋剤を添加してもよい。

一方、不感脂化処理をして用いる画像受理層としては、例えば酸化亜鉛と疎水性結着剤を用いる層が挙げられる。

本発明に供される酸化亜鉛は、例えば日本顔料技術協会編「新版顔料便覧」319頁、(株)誠文堂、(1968年刊)に記載のように、酸化亜鉛、亜鉛華、湿式亜鉛華あるいは活性亜鉛華として市販されているもののいずれでもよい。即ち、
20 酸化亜鉛は、出発原料および製造方法により、乾式法としてフランス法(間接法)、アメリカ法(直接法)および湿式法と呼ばれるものがあり、例えば正同化学(株)、堺化学(株)、白水化学(株)、本荘ケミカル(株)、東邦亜鉛(株)、三井金属工業(株)等の各社から市販されているものが挙げられる。

25 また結着剤として用いる樹脂として、具体的には、スチレン共重合体、メタクリレート共重合体、アクリレート共重合体、酢酸ビニル共重合体、ポリビニルブチラール、アルキド樹脂、エポキシ樹脂、エポキシエステル樹脂、ポリエステル樹脂、ポリウレタン樹脂等が挙げられる。これらの樹脂は単独で用いてもよいし2種以上を併用してもよい。

画像受理層における樹脂の含有量は、樹脂／酸化亜鉛の重量比で示して9／91～20／80とすることが好ましい。

酸化亜鉛の不感脂化は不感脂化処理液を用いて常法により行われ、従来よりこの種の不感脂化処理液として、フェロシアン塩、フェリシアン塩を主成分とするシアン化合物含有処理液、アンミンコバルト錯体、フィチン酸およびその誘導体、グアニジン誘導体を主成分としたシアンフリー処理液、亜鉛イオンとキレートを形成する無機酸あるいは有機酸を主成分とした処理液、あるいは水溶性ポリマーを含有した処理液等が知られている。

例えば、シアン化合物含有処理液として、特公平44-9045号、同46-39403号、特開昭52-76101号、同57-107889号、同54-117201号公報等に記載のものが挙げられる。

また版材の画像受理層とは反対の表面は、そのベック平滑度が150～700(秒／10cc)の範囲であることが好ましい。これにより、形成された印刷版は印刷中でも版胴上でズレや滑りを起こすことなく、良好な印刷が行われる。

ここでベック平滑度は、ベック平滑度試験機により測定することが出来る。ベック平滑度試験機とは、高度に平滑に仕上げられた中央に穴のある円形の硝子板上に、試験片を一定圧力(1kgf/cm²(9.8N/cm²))で押しつけ、減圧下で一定量(10cc)の空気が、硝子面と試験片との間を通過するのに要する時間を測定するものである。

つぎに、本発明に用いられる印刷媒体について説明する。

印刷媒体として、通常用いられる印刷用紙である上質紙、微コート紙、コート紙が挙げられる。また表面に樹脂フィルム層を有する、例えばポリオレフィンラミネート紙、及びプラスチックフィルム、例えばポリエステルフィルム、ポリスチレンフィルム、塩化ビニルフィルム、ポリオレフィンフィルム等も使用できる。さらに、表面に金属が蒸着されたり、又は金属箔が張り合わされたプラスチックフィルム、加工紙も使用できる。、勿論、インクジェット用の専用紙、専用フィルムも使用できる。

以下に本発明に用いられる油性インクについて説明する。

本発明に供される油性インクは、固有電気抵抗10⁹Ωcm以上かつ誘電率3.

5以下の非水溶媒中に、少なくとも常温で固体かつ疎水性の樹脂粒子を分散してなるものである。

本発明に用いる固有電気抵抗 $10^9 \Omega \text{cm}$ 以上、かつ誘電率3.5以下の非水溶媒として好ましくは直鎖状もしくは分岐状の脂肪族炭化水素、脂環式炭化水素、

- 5 または芳香族炭化水素、およびこれらの炭化水素のハロゲン置換体がある。例えばヘキサン、ヘプタン、オクタン、イソオクタン、デカン、イソデカン、デカリン、ノナン、ドデカン、インドデカン、シクロヘキサン、シクロオクタン、シクロデカン、ベンゼン、トルエン、キシレン、メシチレン、アイソパーC、アイソパーE、アイソパーG、アイソパーH、アイソパーL（アイソパー：エクソン社の商品名）、シェルゾール70、シェルゾール71（シェルゾール：シェルオイル社の商品名）、アムスコOMS、アムスコ460溶剤（アムスコ：スピリッツ社の商品名）、シリコンオイル等を単独あるいは混合して用いる。なお、このような非水溶媒の固有電気抵抗の上限値は $10^{16} \Omega \text{cm}$ 程度であり、誘電率の下限値は1.9程度である。

- 15 用いる非水溶媒の電気抵抗を上記範囲とするのは、電気抵抗が低くなると、樹脂粒子等の濃縮が起こりにくくなり、十分な耐刷性が得られなくなるからであり、誘電率を上記範囲とするのは、誘電率が高くなると溶媒の分極により電界が緩和され、これによりインクの吐出が悪くなりやすくなるからである。

- 20 上記の非水溶媒中に、分散される樹脂粒子としては、 35°C 以下の温度で固体で非水溶媒との親和性のよい疎水性の樹脂の粒子であればよいが、更にそのガラス転移点が $-5^\circ\text{C} \sim 110^\circ\text{C}$ もしくは軟化点 $33^\circ\text{C} \sim 140^\circ\text{C}$ の樹脂（P）が好ましく、より好ましくはガラス転移点 $10^\circ\text{C} \sim 100^\circ\text{C}$ もしくは軟化点 $38^\circ\text{C} \sim 120^\circ\text{C}$ であり、さらに好ましくはガラス転移点 $15^\circ\text{C} \sim 80^\circ\text{C}$ 、もしくは軟化点 $38^\circ\text{C} \sim 100^\circ\text{C}$ である。

- 25 このようなガラス転移点もしくは軟化点の樹脂を用いることによって、印刷原版の画像受理層表面と樹脂粒子との親和性が増し、また印刷原版上での樹脂粒子同士の結合が強くなるので、画像部と画像受理層との密着性が向上し、耐刷性が向上する。これに対し、ガラス転移点もしくは軟化点が低くなっても高くなっても画像受理表面と樹脂粒子の親和性が低下したり、樹脂粒子同士の結合が弱くな

ってしまう。

樹脂 (P) の重量平均分子量 M_w は、 $1 \times 10^3 \sim 1 \times 10^6$ であり、好ましくは $5 \times 10^3 \sim 8 \times 10^5$ 、より好ましくは $1 \times 10^4 \sim 5 \times 10^5$ である。

- このような樹脂 (P) として具体的には、オレフィン重合体および共重合体 (例
- 5 えばポリエチレン、ポリプロピレン、ポリイソブチレン、エチレン-酢酸ビニル共重合体、エチレン-アクリレート共重合体、エチレン-メタクリレート共重合体、エチレン-メタクリル酸共重合体等)、塩化ビニル重合体および共重合体 (例えば、ポリ塩化ビニル、塩化ビニル-酢酸ビニル共重合体等)、塩化ビニリデン共
- 10 重合体、アルカン酸ビニル重合体および共重合体、アルカン酸アリル重合体および共重合体、スチレンおよびその誘導体の重合体ならびに共重合体 (例えばブタジエン-スチレン共重合体、イソプレン-スチレン共重合体、スチレン-メタクリレート共重合体、スチレン-アクリレート共重合体等)、アクリロニトリル共重合体、メタクリロニトリル共重合体、アルキルビニルエーテル共重合体、アクリル酸エステル重合体および共重合体、メタクリル酸エステル重合体および共重合
- 15 体、イタコン酸ジエステル重合体および共重合体、無水マレイン酸共重合体、アクリルアミド共重合体、メタクリルアミド共重合体、フニノール樹脂、アルキド樹脂、ポリカーボネート樹脂、ケトン樹脂、ポリエステル樹脂、シリコン樹脂、アミド樹脂、水酸基およびカルボキシ基変性ポリエステル樹脂、ブチラール樹脂、ポリビニルアセタール樹脂、ウレタン樹脂、ロジン系樹脂、水素添加ロジン
- 20 樹脂、石油樹脂、水素添加石油樹脂、マレイン酸樹脂、テルペン樹脂、水素添加テルペン樹脂、クマロン-インデン樹脂、環化ゴム-メタクリル酸エステル共重合体、環化ゴム-アクリル酸エステル共重合体、窒素原子を含有しない複素環を含有する共重合体 (複素環として例えば、フラン環、テトラヒドロフラン環、チオフェン環、ジオキサン環、ジオキソフラン環、ラクトン環、ベンゾフラン環、
- 25 ベンゾチオフェン環、1,3-ジオキセタン環等)、エポキシ樹脂等が挙げられる。

本発明の油性インクにおける分散された樹脂粒子の含有量は、インク全体の 0.5 ~ 20 wt % とすることが好ましい。含有量が少なくなるとインクと印刷原版の表面との親和性が得られにくくなって良好な画像が得られなくなったり、耐刷性が低下したりするなどの問題が生じやすくなり、一方、含有量が多くなると均

一な分散液が得られにくくなったり、吐出ヘッドでのインクの流れが不均一となりやすく、安定なインク吐出が得られにくいなどの問題がある。

本発明に供される油性インク中には、前記の分散樹脂粒子とともに、製版後の版を検版する等のために着色成分として色材を含有させることが好ましい。

5 色材としては、従来から油性インク組成物あるいは静電写真用液体现像剤に用いられている顔料および染料であればどれでも使用可能である。

顔料としては、無機顔料、有機顔料を問わず、印刷の技術分野で一般に用いられているものを使用することができる、具体的には、例えば、カーボンブラック、カドミウムレッド、モリブデンレッド、クロムイエロー、カドミウムイエロー、
10 チタンイエロー、酸化クロム、ビリジアン、コバルトグリーン、ウルトラマリブルー、プルシアンブルー、コバルトブルー、アゾ系顔料、フタロシアニン系顔料、キナクリドン系顔料、イソインドリノン系顔料、ジオキサジン系顔料、スレン系顔料、ペリレン系顔料、ペリノン系顔料、チオインジゴ系顔料、キノフタロン系顔料、金属錯体顔料、等の従来公知の顔料を特に限定することなく用いるこ
15 とができる。

染料としては、アゾ染料、金属錯塩染料、ナフトール染料、アントラキノン染料、インジゴ染料、カーボニウム染料、キノンイミン染料、キサンテン染料、アニリン染料、キノリン染料、ニトロ染料、ニトロソ染料、ベンゾキノン染料、ナフトキノン染料、フタロシアニン染料、金属フタロシアニン染料、等の油溶性染料が好ましい。
20

これらの顔料および染料は、単独で用いてもよいし、適宜組み合わせることも可能であるが、インク全体に対して0.01～5重量%の範囲で含有されることが望ましい。

これらの色材は、分散樹脂粒子とは別に色材自身を分散粒子として非水溶媒中に分散させてもよいし、分散樹脂粒子中に含有させてもよい。含有させる場合、顔料などは分散樹脂粒子の樹脂材料で被覆して樹脂被覆粒子とする方法などが一般的であり、染料などは分散樹脂粒子の表面部を着色して着色粒子とする方法などが一般的である。
25

本発明の非水溶媒中に、分散された樹脂粒子、更には着色粒子等を含めて、こ

これらの粒子の平均粒径は $0.05\mu\text{m}\sim 5\mu\text{m}$ が好ましい。より好ましくは $0.1\mu\text{m}\sim 1.5\mu\text{m}$ である。この粒径はCAPA-500（堀場製作所（株）製商品名）により求めたものである。

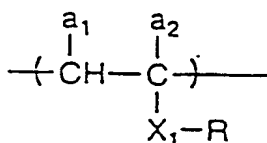
本発明に用いられる非水系分散樹脂粒子は、従来公知の機械的粉碎方法または
5 重合造粒方法によって製造することができる。機械的粉碎方法としては、必要に応じて、樹脂粒子とする材料を混合し、熔融、混練を経て従来公知の粉碎機で直接粉碎して、微粒子とし、分散ポリマーを併用して、更に湿式分散機（例えばボールミル、ペイントシェーカー、ケデイミル、ダイノミル等）で分散する方法、樹脂粒子成分となる材料と、分散補助ポリマー（または被覆ポリマー）を予め混
10 練して混練物とした後粉碎し、次に分散ポリマーを共存させて分散する方法等が挙げられる。具体的には、塗料または静電写真用液体现像剤の製造方法を利用することができる。これらについては、例えば、植木憲二監訳「塗料の流動と顔料分散」共立出版（1971年）、ソロモン「塗料の科学」広川書店（1969年）、原
15 崎勇次「コーティング工学」朝倉書店（1971年）、原崎勇次「コーティングの基礎科学」楨書店（1977年）等の成書に記載されている。

また、重合造粒法としては、従来公知の非水系分散重合方法が挙げられ、具体的には、室井宗一監修「超微粒子ポリマーの最新技術」等2章、CMC出版（1991年）、中村孝一著「最近の電子写真現像システムとトナー材料の開発・実用化」第3章、（日本科学情報（株）1985年刊）、K.E.J.Barrett「Dispersion
20 Polymerization Organic Media」John Wiley（1975年）等の成書に記載されている。

通常、分散粒子を非水溶媒中で分散安定化するために、分散ポリマーを併用する。分散ポリマーは非水溶媒に可溶性の繰り返し単位を主成分として含有し、かつ平均分子量が、重量平均分子量 M_w で $1\times 10^3\sim 1\times 10^6$ が好ましく、より
25 好ましくは $5\times 10^3\sim 5\times 10^5$ の範囲である。

本発明に供される分散ポリマーの好ましい可溶性の繰り返し単位として、下記一般式（I）で示される重合成分が挙げられる。

一般式(I)



- 5 一般式 (I) において、 X_1 は $-\text{COO}-$ 、 $-\text{OCO}-$ または $-\text{O}-$ を表す。
 R は、炭素数 10 ~ 32 のアルキル基またはアルケニル基を表し、好ましくは炭素数 10 ~ 22 のアルキル基またはアルケニル基を表し、これらは直鎖状でも分岐状でもよく、無置換のものが好ましいが、置換基を有していてもよい。

- 具体的には、デシル基、ドデシル基、トリデシル基、テトラデシル基、ヘキサ
 10 デシル基、オクタデシル基、エイコサニル基、ドコサニル基、デセニル基、ドデセニル基、トリデセニル基、ヘキサデセニル基、オクタデセニル基、リノレニル基等が挙げられる。

- a_1 および a_2 は、互いに同じでも異なってもよく、水素原子、ハロゲン原子 (例えば、塩素原子、臭素原子等)、シアノ基、炭素数 1 ~ 3 のアルキル基 (例
 15 えば、メチル基、エチル基、プロピル基等)、 $-\text{COO}-Z_1$ または $-\text{CH}_2\text{COO}-Z_1$ [Z_1 は、置換されていてもよい炭素数 22 以下の炭化水素基 (例えば、アルキル基、アルケニル基、アラルキル基、脂環式基、アリアル基等) を表す] を表す。

- Z_1 で表される炭化水素基のうち、好ましい炭化水素基としては、炭素数 1 ~
 20 22 の置換されてもよいアルキル基 (例えば、メチル基、エチル基、プロピル基、ブチル基、ヘキシル基、ヘプチル基、オクチル基、ノニル基、デシル基、ドデシル基、トリデシル基、テトラデシル基、ヘキサデシル基、オクタデシル基、エイコサニル基、ドコサニル基、2-クロロエチル基、2-ブロモエチル基、2-シアノエチル基、2-メトキシカルボニルエチル基、2-メトキシエチル基、3-
 25 ブロモプロピル基等)、炭素数 4 ~ 18 の置換されてもよいアルケニル基 (例えば、2-メチル-1-プロペニル基、2-ブテニル基、2-ペンテニル基、3-メチル-2-ペンテニル基、1-ペンテニル基、1-ヘキセニル基、2-ヘキセニル基、4-メチル-2-ヘキセニル基、デセニル基、ドデセニル基、トリデセニル基、ヘキサデセニル基、オクタデセニル基、リノレニル基等)、炭素数 7 ~ 12 の

- 置換されてもよいアラルキル基（例えば、ベンジル基、フェネチル基、3-フェニルプロピル基、ナフチルメチル基、2-ナフチルエチル基、クロロベンジル基、プロモベンジル基、メチルベンジル基、エチルベンジル基、メトキシベンジル基、ジメチルベンジル基、ジメトキシベンジル基等）、炭素数5~8の置換されてもよい脂環式基（例えば、シクロヘキシル基、2-シクロヘキシルエチル基、2-シクロペンチルエチル基等）、および炭素数6~12の置換されてもよい芳香族基（例えば、フェニル基、ナフチル基、トリル基、キシリル基、プロピルフェニル基、ブチルフェニル基、オクチルフェニル基、ドデシルフェニル基、メトキシフェニル基、エトキシフェニル基、プトキシフェニル基、デシルオキシフェニル基、クロロフェニル基、ジクロロフェニル基、プロモフェニル基、シアノフェニル基、アセチルフェニル基、メトキシカルボニルフェニル基、エトキシカルボニルフェニル基、プトキシカルボニルフェニル基、アセトアミドフェニル基、プロピオンアミドフェニル基、ドデシロイルアミドフェニル基等）が挙げられる。

- 分散ポリマーにおいて一般式（I）で示される繰り返し単位とともに、他の繰り返し単位を共重合成分として含有してもよい。他の共重合成分としては、一般式（I）の繰り返し単位に相当する単量体と共重合可能な単量体よりなるものであればいずれの化合物でもよい。

分散ポリマーにおける一般式（I）で示される重合体成分の存在割合は、好ましくは50重量%以上であり、より好ましくは60重量%以上である。

- これらの分散ポリマーの具体例としては、特開平10-204354号、同10-204356号、同10-259336号、同10-306244号、同10-316917号、同10-316920号等に記載のものや、実施例で使用されている分散安定用樹脂（Q-1）等が挙げられ、また市販品（ソルブレン1205、旭化成（株）製）を用いることもできる。

- 分散ポリマーは、前記の樹脂（P）粒子を分散物（ラテックス）等として製造するときには重合に際し予め添加しておくことが好ましい。分散ポリマーを用いるときの添加量は粒子用樹脂（P）に対し1~50重量%程度とする。

本発明の油性インク中の分散樹脂粒子および着色粒子（あるいは色材粒子）は、好ましくは正荷電または負荷電の検電性粒子である。

これら粒子に検電性を付与するには、湿式静電写真用現像剤の技術を適宜利用することで達成可能である。具体的には、前記の「最近の電子写真現像システムとトナー材料の開発・実用化」139～148頁、電子写真学会編「電子写真技術の基礎と応用」497～505頁（コロナ社、1988年刊）、原崎勇次「電子写真」16（No. 2）、44頁（1977年）等に記載の荷電調節剤などの検電材料および他の添加剤を用いることで行なわれる。

具体的には、例えば、英国特許第893429号、同第934038号、同第1122397号、米国特許第3900412号、同等4606989号、特開昭60-179751号、同60-185963号、特開平2-13965号公報等に記載されている。

上述のような荷電調節剤は、担体液体である分散媒1000重量部に対して0.001～1.0重量部が好ましい。更に所望により各種添加剤を加えてもよく、それら添加物の総量は、油性インクの電気抵抗によってその上限が規制される。即ち、分散粒子を除去した状態のインクの固有電気抵抗が $10^9 \Omega \text{cm}$ より低くなると良質の連続階調像が得られ難くなるので、各添加物の添加量を、この限度内でコントロールすることが望ましい。

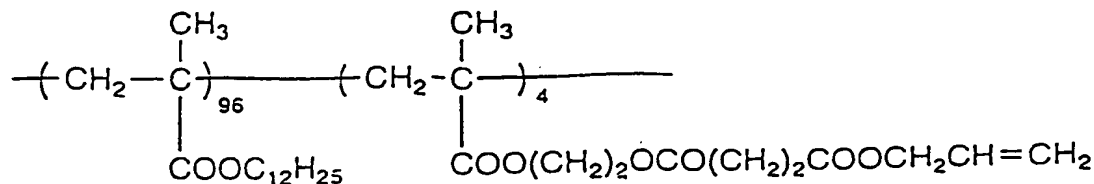
以下に実施例を示して、本発明を詳細に説明するが、本発明はこれらに限定されるものではない。

まず、インク用樹脂粒子（PL）の製造例について示す。

20 樹脂粒子（PL-1）の製造例1

下記構造の分散安定用樹脂（Q-1）10g、酢酸ビニル100gおよびアイソパーH384gの混合溶液を窒素気流下攪拌しながら温度70℃に加熱した。重合開始剤として2,2'-アソビス（イソバレロニトリル）（略称A.I.V.N.）0.8gを加え、3時間反応した。開始剤を添加して20分後に白濁を生じ、反応温度は88℃まで上昇した。更に、この開始剤0.5gを加え、2時間反応した後、温度を100℃に上げ2時間攪拌し未反応の酢酸ビニルを留去した。冷却後200メッシュのナイロン布を通し、得られた白色分散物は重合率90%で平均粒径0.23 μm の単分散性良好なラテックスであった。粒径はCAPA-500（堀場製作所（株）製）で測定した。

分散安定用樹脂(Q-1)



5

Mw 5×10^4 (数値は重量比)

上記白色分散物の一部を、遠心分離機（回転数 1×10^4 r. p. m.、回転時間 60 分）にかけて、沈降した樹脂粒子分を、捕集・乾燥した。樹脂粒子分の重量平均分子量（Mw：ポリスチレン換算 GPC 値）は 2×10^5 、ガラス転移点（Tg）は 38°C であった。

10

実施例 1-1

まず、油性インクを作成した。

<油性インク（IK-1）の作成>

ドデシルメタクリレート／アクリル酸共重合体（共重合比；95／5 重量比）を 10 g、ニグロシン 10 g および シェルゾール 71 の 30 g をガラスビーズとともにペイントシェーカー（東洋精機（株）製）に入れ、4 時間分散し、ニグロシンの微小な分散物を得た。

15

インク用樹脂粒子の製造例 1 で製造した樹脂粒子（PL-1）60 g（固体分量として）、上記ニグロシン分散物を 2.5 g、FOC-1400（日産化学（株）製、テトラデシルアルコール）15 g、およびオクタデセン-半マレイン酸オクタデシルアミド共重合体 0.08 g をアイソパー G の 1 リットルに希釈することにより黒色油性インクを作成した。

20

次に、機上描画平版印刷装置（図 1～図 2 参照）のインクジェット記録装置に上記のように作成した油性インク（IK-1）2 リットルをインクタンクに充填した。ここでは吐出ヘッドとして図 3 に示す 150 dpi、64 チャンネルマルチヘッドを使用した。インク温度管理手段として投げ込みヒータと攪拌羽をインクタンク内に設け、インク温度は 30°C に設定し、攪拌羽を 30 rpm で回転しながらサーモスタットで温度コントロールした。ここで攪拌羽は沈降・凝集防止

25

用の攪拌手段としても使用した。また、インク流路を一部透明とし、それを挟んでLED発光素子と光検知素子を配置し、その出力シグナルによりインクの希釈液（アイソパーG）あるいは濃縮インク（上記IK-1インクの固形分濃度を2倍に調整したもの）投入による濃度管理を行った。

- 5 版材として、砂目立て及び陽極酸化処理を施した0.12mm厚みのアルミニウム版を、版胴に設けた機械的装置により版頭及び版尻をくわえて装着した。湿し水供給装置、印刷インク供給装置、ブランケット胴を版材に接触しないように離し、エアープンプ吸引により版材表面の埃除去を行った後、吐出ヘッドを描画位置まで版材に近づけ、印刷すべき画像データを画像データ演算制御部に伝送し、
- 10 版胴を回転させながら64チャンネル吐出ヘッドを移動させることにより、アルミニウム版上に油性インクを吐出して画像を形成した。この際、インクジェットヘッドの吐出電極の先端幅は10 μ mとし、光学的ギャップ検出装置からの出力に応じて、ヘッドと版材の距離が常に1mmになるように制御を行った。バイアス電圧として2.5KVの電圧を常時印加しておき、吐出を行う際には500V
- 15 のパルス電圧をさらに重畳し、そのパルス電圧を0.2ミリ秒から0.05ミリ秒の範囲で256段階で変化させることでドットの面積を変化させながら描画を行った。埃による描画不良等は全く見られず、また、外気温の変化、製版数の増加によってもドット径変化等による画像劣化は全く見られず、良好な製版が可能であった。
- 20 さらにキセノンフラッシュ定着装置（ウシオ電機（株）製、発光強度200J/パルス）による加熱により画像を強固にし、刷版を作成した。インクジェットヘッドを保護するためにインクジェット記録装置を副走査手段ごと版胴と近接した位置から50mm退避させ、その後、前述のようにして、通常の平版印刷方法により印刷用コート紙への印刷を行った。すなわち、印刷インク及び湿し水を与え
- 25 印刷画像を形成し、この印刷インク画像を版胴と共に回転しているブランケット胴上に転写し、次いでブランケット胴と圧胴との間を通過する印刷用コート紙上にブランケット胴上の印刷インク画像を転移させた。

得られた印刷物は通し枚数一万枚後でも印刷画像に飛びやカスレがなく極めて鮮明な画像であった。また、製版終了後10分間、ヘッドにアイソパーGを供給

し、ヘッド開口部からアイソパーGを滴らせてクリーニングした後、アイソパーGの蒸気を充満させたカバーにヘッドを格納しておくことにより、3ヶ月の間、保守作業の必要なしに、良好な印刷物を作製できた。

- 5 一方、上記実施例1-1において、200dpi（電極間隔127 μ m）の64チャンネルマルチチャンネルヘッドを用いた以外同じ条件で描画したところ、図12及び図13に示す現象が著しく、吐出すべきドットが消滅し、且つ両端のエッジ電極からの吐出ドットは最大で50%の間隔誤差を生じ、評価に耐えないものであった。

実施例1-2

- 10 攪拌手段として循環ポンプを用い、図5、図7又は図9に示すタイプの100dpi、256チャンネルマルチチャンネルヘッドを配置した。ポンプを使用し、このポンプと吐出ヘッドのインク流入路、そして吐出ヘッドのインク回収路とインクタンクの間それぞれインク溜を設け、それらの静水圧差によりインク循環を行い、インク温度管理手段としてはヒータと上述のポンプを使用し、インク温
- 15 度は35 $^{\circ}$ Cに設定し、サーモスタットでコントロールした。ここで循環ポンプは沈殿・凝集防止用の攪拌手段としても使用した。また、インク流路に電導度測定装置を配置し、その出力シグナルによりインクの希釈あるいは濃縮インク投入による濃度管理を行った。版材として、上述のアルミニウム版を、平版印刷装置の版胴に同様に装着した。ナイロン製回転ブラシにより版材表面の埃除去を行った
- 20 後、印刷すべき画像データを画像データ演算制御部に伝送し、版胴を回転させながらフルラインヘッドで描画させることにより、アルミニウム版上に油性インクを吐出して画像を形成した。埃による描画不良等は全く見られず、また、外気温の変化、製版数の増加によってもドット径変化等による画像劣化は全く見られず、良好な製版が可能であった。続いてヒートロール定着（日立金属（株）社製消費
- 25 電力1.2kW）により画像を強固にし、刷版とした。

製版した版で印刷を行ったところ、通し枚数一万枚後でも印刷画像に飛びやカスレがなく極めて鮮明な画像であった。また、製版終了後にヘッドにアイソパーGの循環を行った後、アイソパーGを含ませた不織布をヘッド先端に接触させクリーニングを行ったところ、3ヶ月の間、保守作業の必要なしに、良好な印刷物

を作製できた。

実施例 1 - 3

機上描画 4 色片面平版印刷装置 (図 10 参照) のインクジェット記録装置に、吐出ヘッドとして図 7 に示す 50 dpi、128 チャンネルマルチチャンネルヘッドを使用し、テフロン製の付き当てローラによるギャップ調整 (ギャップ 0.8 mm) を行った。その他、インク濃度制御手段として描画枚数によるインクタンクへの濃縮インク補給を行った以外は実施例 1 と同様の操作を行い、5000 枚の製版を行った。その結果、埃による描画不良、外気温の変化による影響は全く見られなかった。製版数の増加によって、ドット径に多少の変化が見られたが、影響はない範囲内だった。また、製版した版は、前述と同様のフラッシュ定着の他、ハロゲンランプ照射 (ウシオ電機 (株) 製 Q I R、消費電力 1.5 kW)、酢酸エチル噴霧による定着も行った。

ハロゲンランプ照射の際には版面温度 95 °C で 20 秒間加熱が行われるようにし、酢酸エチル噴霧の場合には噴霧量が 1 g/m² 程度になるようにした。その結果、通し枚数 1 万枚後でも印刷画像に飛びやカスレがなく極めて鮮明なフルカラー印刷物が得られた。特にヒートロール、あるいはハロゲンランプによる定着では版胴のまわりに断熱材 (PET フィルム) を巻いておくことで定着時間を大幅に短くできた。なお、その場合には導電性ブラシ (槌屋製サンダーロン、抵抗約 10⁻¹ Ω cm) 接触によりアルミニウム基体の接地を行った。

20 実施例 1 - 4

実施例 1 - 1 のアルミニウム版の代わりに、以下に示す表面に親水性の画像受理層を設けた紙版材を用いた以外は実施例 1 と同じ操作を行った。

基体として坪量 100 g/m² の上質紙を用い、基体の両面にカオリンと、ポリビニルアルコール、SBR ラテックス及びメラミン樹脂の樹脂成分とを主成分とする耐水性層を設けた紙支持体上に下記組成で下記のようにして調製した分散液 A を乾燥後塗布量として 6 g/m² となるように画像受理層を設けて紙版材とした。

分散液 A

ゼラチン (和光純薬一級品)

3 g

コロイダルシリカ（日産化学製；スノーテックスC、20%水分散液）	20 g
シリカゲル（富士シリシア化学製；サイリシア#310）	7 g
硬膜剤	0.4 g
蒸留水	100 g

- 5 をガラスビーズとともにペイントシェーカーで10分間分散した。

得られた印刷物は通し枚数一万枚後でも印刷画像に飛びやカスレがなく極めて鮮明な画像であった。

- 一方、印刷用紙として上質紙を使用したところ、3千枚印刷時に一部紙粉によるベタのつぶれ不良が発生したため、給紙部付近にエア吸引ポンプを紙粉防止装置として設置し、印刷を行った。その結果、印刷不良は発生せず、得られた印刷物は、通し枚数五千枚後でも飛びやカスレがなく極めて鮮明な画像であった。ただし通し枚数五千枚後では、A3サイズの画像の縦方向で0.1mmの伸びが認められた。

実施例1-5

- 15 実施例1-1のアルミニウム版の代わりに、以下に示す表面に不感脂化処理により親水化が可能になる画像受理層を設けた版材を用い、刷版作成後に版面不感脂化処理装置を用いて非画像部を親水化し、描画の際に導電性板バネ（燐青銅製）接触により版材導電層の接地をとり、版材に熱風を当てることにより定着を行った以外は実施例1-1と同じ操作を行った。

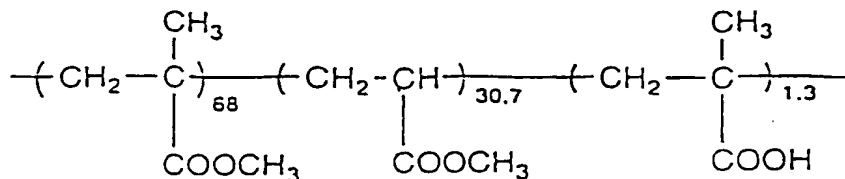
- 20 基体として坪量100g/m²の上質紙を用い、基体の両面にポリエチレンフィルムを20μmの厚みにラミネートし耐水性とした紙支持体上に下記組成で下記のようにして調製した導電層用塗料を片面に塗布し、乾燥後塗布量として10g/m²となるようにし、さらにその上に分散液Bを乾燥後塗布量として15g/m²となるように画像受理層を設けて版材とした。

- 25 ・導電層用塗料；カーボンブラック（30%水分散液）5.4部、クレー（50%水分散液）54.6部、SBRラテックス（固形分50%、Tg25℃）36部、メラミン樹脂（固形分80%、スミレッツレジンスR-613）4部を混合し、全体の固形分が25%となるように水を加えて塗料とした。

・分散液B；乾式酸化亜鉛100g、下記構造の結着樹脂（B-1）3g、結着

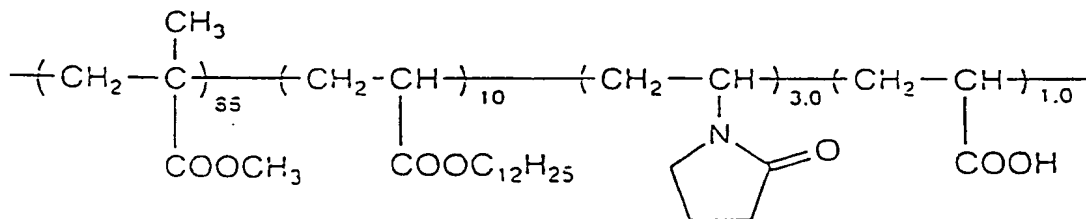
樹脂 (B-2) 17 g、安息香酸 0.15 g 及びトルエン 155 g の混合物を湿式分散機ホモジナイザー (日本精機 (株) 製) を用いて回転数 6,000 rpm で 8 分間分散した。

5 結着樹脂 (B-1)



Mw 9×10^3

10 結着樹脂 (B-2)



15 Mw 4×10^4 (数値は重量比)

得られた印刷物は、通し枚数五千枚でも印刷画像に飛びやカスレがなく極めて鮮明な画像であった。

20 実施例 2-1

製版装置 (図 11A, 図 2 参照) 1 のインクジェット秒が装置に油性インク (IK-1) 2 リットルをインクタンクに充填した。ここでは、吐出ヘッドとして図 4 に示す 150 dpi、64 チャンネルマルチチャンネルヘッドを使用した。インク温度管理手段としては投げ込みヒータと攪拌羽ねをインクタンク内に設け、
 25 インク温度は 30 °C に設定し、攪拌羽を 30 rpm で回転しながらサーモスタットで温度コントロールをした。ここで、攪拌羽は沈降・凝集防止用の攪拌手段としても使用した。またインク流路を一部透明とし、それを挟んで LED 発光素子と光検知素子を配置し、その出力シグナルによりインクの希釈液 (アイソパー G) あるいは濃縮インク (上記インク (IK-1) の固形分濃度を 2 倍に調整したも

の) 投入による濃度管理を行った。

- 版材として、砂目立ておよび陽極酸化処理を施した0.12mm厚みのアルミ版を、製版装置のドラムに設けた機械的装置により版頭および版尻をくわえて装着した。エアーポンプ吸引により版材表面の埃除去を行った後、吐出ヘッドを描
- 5 画位置まで版材に近づけ、製版すべき画像データを画像データ演算制御部に伝送し、ドラムを回転させながら64チャンネル吐出ヘッドを移動させることにより、アルミ版上に油性インクを吐出して画像を形成した。この際、インクジェットヘッドの吐出電極の先端幅は10 μ mとし、光学的ギャップ検出装置からの出力によりヘッドと版材の距離は1mmとなるように制御した。バイアス電圧として2.
- 10 5KVの電圧を常時印加しておき、吐出を行う際には500Vのパルス電圧をさらに重畳し、そのパルス電圧を0.2ミリ秒から0.05ミリ秒の範囲で256段階で変化させることでドットの面積を変化させながら描画を行った。埃による描画不良等は全く見られず、また外気温の変化、製版数の増加によってもドット径変化等による画像劣化は全く見られず、良好な製版が可能であった。
- 15 さらにキセノンフラッシュ定着装置(ウシオ電機(株)製、発光強度200J/パルス)による加熱により画像を強固にし、刷版を作成した。インクジェットヘッドを保護するためにインクジェット描画装置を副走査手段ごとドラムと近接した位置から50mm退避させ、次に刷版を製版装置から取り出して、オリバー266EPZ印刷機の版胴に装着し印刷をした。
- 20 得られた印刷物は通し枚数一万枚後でも印刷画像に飛びやカスレがなく極めて鮮明な画像であった。

また製版終了後10分間、ヘッドにアイソパーGを供給し、ヘッド開口部からアイソパーGを滴らせてクリーニングした後、アイソパーGの蒸気を充満させたカバーにヘッドを格納しておくことにより、3ヶ月の間、保守作業の必要なしに、

25 良好な印刷物を与える印刷版を作製できた。

実施例2-2

図11Bに示す装置に、図5に示すタイプの100dpi、256チャンネルマルチチャンネルヘッドを配置した。インク循環にはポンプを使用し、このポンプと吐出ヘッドのインク流入路、そして吐出ヘッドのインク回収路とインクタン

クの間それぞれインク溜を設け、それらの静水圧差によりインク循環を行い、インク温度管理手段としてはヒータと上述のポンプを使用し、インク温度は35℃に設定し、サーモスタットでコントロールした。ここで循環ポンプは沈殿・凝集防止用の攪拌手段としても使用した。またインク流路に電導度測定装置を配置し、その出力シグナルによりインクの希釈あるいは濃縮インク投入による濃度管理を行った。版材として、上述のアルミ版を、製版装置のドラムに同様に装着した。ナイロン製回転ブラシにより版材表面の埃除去を行った後、製版すべき画像データを画像データ演算制御部に伝送し、マルチチャンネルヘッドを版材の移動方向に移動し、その動きに併せ、キャップスタンローラにより版材を搬送させることにより、アルミ版上に油性インクを吐出して画像を形成した。埃による描画不良等は全く見られず、また外気温の変化、製版数の増加によってもドット径変化等による画像劣化は全く見られず、良好な製版が可能であった。さらにヒートローラ（300Wハロゲンランプ内包テフロンシールシリコンゴムローラ）定着による加熱により（圧力： 3 kgf/cm^2 （ 29.4 N/cm^2 ））画像を強固にし、刷版を作成した。

また製版した版で実施例1と同様にして印刷を行ったところ、通し枚数一万枚後でも印刷画像に飛びやカスレがなく極めて鮮明な画像であった。また製版終了後にヘッドにアイソバーGの循環を行った後、アイソバーGを含ませた不織布をヘッド先端に接触させクリーニングを行ったところ、3ヶ月の間、保守作業の必要なしに、良好な印刷物を与える印刷版を作製できた。

更に、上記図5に示すタイプのインクジェットヘッドの代わりに、図7及び図9に示すタイプの100dpiフルラインインクジェットヘッドを用いて同様に行ったところ、各々上記と同様に良好な結果が得られた。

実施例2-3

実施例2-1のアルミニウム版の代わりに、以下に示す表面に不感脂化処理により親水化が可能になる画像受理層を設けた版材を用い、刷版作成後に版面不感脂化処理装置を用いて非画像部を親水化し、描画の際に導電性板バネ（燐青銅製）接触により版材導電層の接地をとり、版材に熱風を当てることにより定着を行った以外は実施例1と同じ操作を行った。

基体として坪量 100 g/m^2 の上質紙を用い、基体の両面にポリエチレンフィルムを $20\text{ }\mu\text{m}$ の厚みにラミネートし耐水性とした紙支持体上に下記組成で下記のようにして調製した導電層用塗料を片面に塗布し、乾燥後塗布量として 10 g/m^2 となるようにし、さらにその上に分散液Aを乾燥後塗布量として 15 g/m^2 となるように画像受理層を設けて版材とした。

・導電層用塗料；カーボンブラック（30%水分散液）5.4部、クレー（50%水分散液）54.6部、SBRラテックス（固形分50%、Tg $25\text{ }^\circ\text{C}$ ）36部、メラミン樹脂（固形分80%、スミレッツレジンSR-613）4部を混合し、全体の固形分が25%となるように水を加えて塗料とした。

10 ・分散液A；乾式酸化亜鉛 100 g 、上記の結着樹脂（B-1） 3 g 、結着樹脂（B-2） 17 g 、安息香酸 0.15 g およびトルエン 155 g の混合物を湿式分散機ホモジナイザー（日本精機（株）製）を用いて回転数 $6,000\text{ rpm}$ で8分間分散した。

15 版材に熱風を当てることにより定着を行った際、プリスターが発生した。そこで熱風を使用したヒータに対し供給電力を徐々に連続的に高める、あるいは供給電力は変化させずにドラムの回転速度を高速から低速に徐々に連続的に低下することにより定着を行った。その結果、プリスターは発生せず、その刷版を印刷することにより得られた印刷物は、通し枚数五千枚でも印刷画像に飛びやカスレがなく極めて鮮明な画像であった。

20 実施例3-1

25 図14に示す印刷装置の描画装置のインクジェット記録装置に上記のように作成した油性インク（IK-1）2リットルをインクタンクに充填した。ここでは吐出ヘッドとして図5に示すタイプの 150 dpi 、フルラインヘッドを使用した。インク温度管理手段として投げ込みヒータと攪拌羽をインクタンク内に設け、インク温度は $30\text{ }^\circ\text{C}$ に設定し、攪拌羽を 30 rpm で回転しながらサーモスタットで温度コントロールした。ここで攪拌羽は沈降・凝集防止用の攪拌手段としても使用した。また、インク流路を一部透明とし、それを挟んでLED発光素子と光検知素子を配置し、その出力シグナルによりインクの希釈液（アイソパーG）あるいは濃縮インク（上記IK-1インクの固形分濃度を2倍に調整したも

の) 投入による濃度管理を行った。印刷媒体としてロール状微コート紙を、対向ドラム上に設け搬送した。エアーポンプ吸引により印刷媒体表面の埃除去を行った後、吐出ヘッドを描画位置まで印刷媒体に近づけ、印刷すべき画像データを画像データ演算制御部に伝送し、対向ドラムの回転により印刷媒体を搬送させながらフルラインマルチチャンネルヘッドから油性インクを吐出して画像を形成した。この際、インクジェットヘッドの吐出電極の先端幅は $10\mu\text{m}$ とし、光学的ギャップ検出装置による出力によりヘッドと印刷媒体の距離は 1mm に保った。バイアス電圧として 2.5KV の電圧を常時印加しておき、吐出を行う際には 500V のパルス電圧をさらに重畳し、そのパルス電圧を 0.2 ミリ秒から 0.05 ミリ秒の範囲で 256 段階で変化させることでドットの面積を変化させながら描画を行った。埃による描画不良等は全く見られず、また、外気温の変化、印刷時間の増加によってもドット径変化等による画像劣化は全く見られず、良好な印刷が可能であった。

さらにキセノンフラッシュ定着装置（ウシオ電機（株）社製、発光強度 200J /パルス）による加熱により画像を強固にした。印刷終了後は、インクジェットヘッドを保護するためにインクジェット記録装置を描画ドラムと近接した位置から 50mm 退避させた。

得られた印刷物は、印刷画像に飛びやカスレがなく極めて鮮明な画像であった。また印刷終了後 10 分間、ヘッドにアイソパーGを供給し、ヘッド開口部からアイソパーGを滴らせてクリーニングした後、アイソパーGの蒸気を充満させたカバーにヘッドを格納しておくことにより、 3 ヶ月の間、保守作業の必要なしに、良好な印刷物を作製できた。

実施例 3 - 2

図15および図16に示した印刷装置を用い、攪拌手段（図2の27）として循環ポンプを用い、図5又は図7に示すタイプの 100dpi 、 256 チャンネルマルチチャンネルヘッドを4つ使用し、 64 チャンネル分の吐出部はドラムの軸方向と直角方向に配列するようヘッドを配置した。

油性インクとして、黒色インクIK-1と、IK-1インクの色剤として用いたニグロシンをフタロシアニン・ブルーに置き換えた他は、IK-1インクと同

様に作製したシアンインク I K - 2 と、I K - 1 インクの色剤として用いたニグロシンを C I ピグメントレッド 57 : 1 に置き換えた他は、I K - 1 インクと同様に作製したマゼンタインク I K - 3 と、I K - 1 インクの色剤として用いたニグロシンを C I ピグメントイエロー 14 に置き換えた他は、I K - 1 インクと同様に作製したイエローインク I K - 4 の 4 色のインクを用い、それぞれ 4 つのヘッドに充填した。

ここではポンプを使用し、このポンプと吐出ヘッドのインク流入路、そして吐出ヘッドのインク回収路とインクタンクの間それぞれインク溜を設け、それらの静水圧差によりインク循環を行い、インク温度管理手段としてはヒータと上述のポンプを使用し、インク温度は 35 °C に設定し、サーモスタットでコントロールした。ここで循環ポンプは沈殿・凝集防止用の攪拌手段としても使用した。

また、インク流路に電導度測定装置を配置し、その出力シグナルによりインクの希釈あるいは濃縮インク投入による濃度管理を行った。ナイロン製回転ブラシにより印刷媒体表面の埃除去を行った後、印刷すべき画像データを画像データ演算制御部に伝送し、ヘッドをドラム軸方向に移動し主走査を行なうと共に、描画ドラムを回転させながら副走査を行い、描画させることにより、ロール状微コート紙にインクを吐出して画像を形成した。

埃による描画不良等は全く見られず、また、外気温の変化、印刷枚数の増加によってもドット径変化等による画像劣化は全く見られず、図 5 および図 7 のいずれのタイプのヘッドを用いた場合も、良好な片面及び両面フルカラー印刷が可能であった。

また、印刷終了後にヘッドにアイソバー G の循環を行った後、アイソバー G を含ませた不織布をヘッド先端に接触させクリーニングを行ったところ、3 ヶ月の間、保守作業の必要なしに、良好な印刷物を作製できた。

25 実施例 3 - 3

図 18 に示した印刷装置を用いて、片面 4 色のフルカラー印刷を行った。油性インクとして、実施例 3 - 2 で説明した 4 色のインクを 4 組のインクジェット描画装置の各々に用いて、図 9 に示すタイプの 100 dpi 256 チャンネルマルチチャンネルヘッド 4 個を使用し、吐出部を対向ドラムの軸と平行に配置し、対

向ドラムの回転により主走査を行い、ヘッドをドラムの軸方向に一回転毎に逐次移動することによりコート紙上に900dpiの画像を描画し、鮮明で高画質なフルカラー印刷物を得た。

実施例3-4

- 5 図20および図21に示した印刷装置を用いて、片面4色のフルカラー印刷を行った。油性インクは、実施例3-3と同じ4色のインクを用いた。ここでは、吐出ヘッドとして図5に示すタイプの100dpi、64チャンネルマルチチャンネルヘッドを使用し、吐出部を印刷媒体の走行方向と約60度の角度をなすように配置した。印刷すべき画像データを画像データ演算制御部に伝送し、64チャンネルマルチチャンネルヘッドを印刷媒体の搬送方向と直角方向に移動させながら、キャップスタンローラの回転により印刷媒体を搬送させることにより、700dpiの画像をインクジェット専用紙上に形成した。その他は、実施例3-1と同様の操作を行い、4色フルカラーの良好な印刷が可能であった。

15 産業上の利用の可能性

本発明によれば、マルチチャンネルヘッド描画装置を用いる静電式インクジェット記録方法により、高画質の画像を安定して提供できる。このため、通常の印刷用紙のみならずプラスチックシートへの印刷も可能である。また、現像処理不要のデジタル対応の製版装置や機上描画印刷装置に適用することができ、安価かつ簡便に、鮮明で高画質の印刷物を多数枚得ることが出来る。

- 20

請 求 の 範 囲

1. 印刷機の版胴に版材を装着し、該版材上に画像データの信号に基づき静電界を利用して油性インクを複数の吐出チャンネルを有する記録ヘッドから吐出させるインクジェット方式により描画を行うことにより前記版材表面に直接画像を形成して刷版を作成し、該刷版をその状態で用いて引き続き平版印刷を行う機上描画平版印刷方法において、

5 版刷上への画像の形成を、吐出チャンネル間隔が $170\mu\text{m}$ 以上[描画画像の解像度の換算で 150dpi (1インチ当たり 150ドットの間隔) 以下]である記録ヘッドで行うことを特徴とする機上描画平版印刷方法。

2. 前記油性インクが、固有電気抵抗値 $10^9\ \Omega\text{cm}$ 以上かつ誘電 3.5 以下の非水溶媒中に、少なくとも常温で固体かつ疎水性の樹脂粒子を分散したものである請求項 1 に記載の機上描画平版印刷方法。

3. 印刷装置の版胴に装着された版材上に、画像データの信号に基づき静電界を利用して複数の吐出チャンネルを有する記録ヘッドから油性インクを吐出させるインクジェット描画装置により直接画像を形成する画像形成手段と、該画像形成手段によって形成された刷版で平版印刷を行う平版印刷手段とを備えた機上描画平版印刷装置において、

15 前記画像形成手段は、吐出チャンネル間隔が $170\mu\text{m}$ 以上[描画画像の解像度の換算で 150dpi (1インチ当たり 150ドットの間隔) 以下]である記録ヘッドを備えたことを特徴とする機上描画平版印刷装置。

4. 前記油性インクが、固有電気抵抗値 $10^9\ \Omega\text{cm}$ 以上かつ誘電 3.5 以下の非水溶媒中に、少なくとも常温で固体かつ疎水性の樹脂粒子を分散したものである請求項 3 に記載の機上描画平版印刷装置。

25 5. 前記画像形成手段は、前記インクの定着装置を備えたことを特徴とする請求項 3 又は請求項 4 記載の機上描画平版印刷装置。

6. 前記画像形成手段は、版材への描画前及び/又は描画中に版材表面に存在する埃を除去する版材表面埃除去手段を備えたことを特徴とする請求項 3~請求項 5 のいずれか 1 項記載の機上描画平版印刷装置。

7. 前記版材への描画時に、前記画像形成手段が、前記版材の装着された版胴の回転により主走査を行うことを特徴とする請求項 3～請求項 6 のいずれか 1 項記載の機上描画平版印刷装置。

5 8. 前記インクジェット描画装置は、前記版材への描画時に該記録ヘッドが前記版胴の軸方向に移動する事により副走査を行うことを特徴とする請求項 7 記載の機上描画平版印刷装置。

9. 前記インクジェット描画装置は、前記記録ヘッドに前記油性インクを供給するインク供給手段を備えたことを特徴とする請求項 3～請求項 8 のいずれか 1 項に記載の機上描画平版印刷装置。

10 10. 前記記録ヘッドから前記油性インクを回収するインク回収手段を備え、前記インク供給手段及びインク回収手段によりインク循環を行うことを特徴とする請求項 9 記載の機上描画平版印刷装置。

15 11. 前記油性インクを格納するインクタンク内にインク攪拌手段を備えたことを特徴とする請求項 3～請求項 10 のいずれか 1 項記載の機上描画平版印刷装置。

12. 前記油性インクを格納するインクタンク内にインクの温度を制御するインク温度制御手段を備えたことを特徴とする請求項 3～請求項 11 のいずれか 1 項記載の機上描画平版印刷装置。

20 13. 前記油性インクのインク濃度を制御するインク濃度制御手段を備えたことを特徴とする請求項 3～請求項 12 のいずれか 1 項記載の機上描画平版印刷装置。

25 14. 前記インクジェット描画装置は、前記版材への描画時に前記記録ヘッドを前記版胴へ接近させ、該版材への描画時以外は該記録ヘッドを該版胴から離す記録ヘッド離接手段を備えたことを特徴とする請求項 3～請求項 13 のいずれか 1 項記載の機上描画平版印刷装置。

15. 前記画像形成手段は、少なくとも製版終了後に前記記録ヘッドのクリーニングを行う記録ヘッドクリーニング手段を備えたことを特徴とする請求項 3～請求項 14 のいずれか 1 項記載の機上描画平版印刷装置。

16. 前記平版印刷手段は、平版印刷時に発生する紙粉を除去する紙粉除去手

段を備えたことを特徴とする請求項 3～請求 15 のいずれか 1 項記載の機上描画平版印刷装置。

17. 画像データの信号に基づき静電界を利用して油性インクを複数の吐出チャンネルを有する記録ヘッドから吐出させるインクジェット方式により描画を行うことにより、
- 5 版材上に直接画像を形成して刷版を作成する製版方法において、

版材上への画像の形成を、吐出チャンネル間隔が $170\mu\text{m}$ 以上[描画画像の解像度の換算で 150dpi (1 インチ当たり 150 ドットの間隔) 以下]である記録ヘッドで行うことを特徴とする製版方法。

18. 前記油性インクが、固有電気抵抗値 $10^9\ \Omega\ \text{cm}$ 以上かつ誘電 3.5 以下の非水溶媒中に、少なくとも常温で固体かつ疎水性の樹脂粒子を分散したものである請求項 17 に記載の製版方法。
- 10

19. 画像データの信号に基づき静電界を利用して複数の吐出チャンネルを有する記録ヘッドから油性インクを吐出させるインクジェット描画装置により版材上に直接画像を形成する画像形成手段を備えた製版装置において、

- 15 版材上への画像の形成を、吐出チャンネル間隔が $170\mu\text{m}$ 以上[描画画像の解像度の換算で 150dpi (1 インチ当たり 150 ドットの間隔) 以下]である記録ヘッドで行うことを特徴とする製版装置。

20. 前記油性インクが、固有電気抵抗値 $10^9\ \Omega\ \text{cm}$ 以上かつ誘電 3.5 以下の非水溶媒中に、少なくとも常温で固体かつ疎水性の樹脂粒子を分散したものである請求項 19 に記載の製版装置。
- 20

21. 前記画像手段は、前記インクの定着装置を備えたことを特徴とする請求項 19 又は請求項 20 記載の製版装置。

22. 前記画像形成手段は、版材への描画前及び/又は描画中に版材表面に存在する埃を除去する版材表面埃除去手段を備えたことを特徴とする請求項 19～請求項 21 のいずれか 1 項記載の製版装置。
- 25

23. 前記版材への描画時に、前記版材が装着されたドラムを回転させて前記印刷媒体を移動させることにより描画を行う請求項 19 乃至 22 の何れか 1 項に記載の製版装置。

24. 前記記録ヘッドを、前記ドラムの軸方向に移動する事により描画を行う

請求項 23 に記載の製版装置。

25. 前記版材上への描画時に、少なくとも 1 対のキャプスタンローラにより前記版材を挟持して走行させることにより副走査を行う請求項 19 乃至 22 のいずれか 1 項に記載の製版装置。

5 26. 前記記録ヘッドを、前記版材の走行方向と直交する方向に移動する事により描画を行う請求項 25 に記載の製版装置。

27. 前記インクジェット描画装置が、前記記録ヘッドに前記油性インクを供給するインク供給手段を有する請求項 19 乃至 26 のいずれか 1 項に記載の製版装置。

10 28. 前記記録ヘッドから前記油性インクを回収するインク回収手段を有し、インク循環を行う請求項 27 に記載の製版装置。

29. 前記インクジェット描画装置が、前記油性インクを格納するインクタンク内の前記油性インクを攪拌する攪拌手段を有する請求項 19 乃至 28 のいずれか 1 項に記載の製版装置。

15 30. 前記インクジェット描画装置が、前記油性インクを格納するインクタンク内の前記油性インクの温度を管理するインク温度管理手段を有する請求項 19 乃至 29 のいずれか 1 項に記載の製版装置。

31. 前記インクジェット描画装置が、前記油性インクの濃度を制御するインク濃度制御手段を有する請求項 19 乃至 30 のいずれか 1 項に記載の製版装置。

20 32. 前記記録ヘッドをクリーニングするクリーニング手段を有する請求項 19 乃至 31 のいずれか 1 項に記載の製版装置。

33. 画像データの信号に基づき静電界を利用して油性インクを複数の吐出チャンネルを有する記録ヘッドから吐出させるインクジェット方式により描画を行うことにより、印刷媒体上に直接画像を形成して印刷物を作成する印刷方法において、

25 印刷媒体上への画像の形成を、吐出チャンネル間隔が $170\mu\text{m}$ 以上[描画画像の解像度の換算で 150dpi (1 インチ当たり 150 ドットの間隔) 以下]である記録ヘッドで行うことを特徴とする印刷方法。

34. 前記油性インクが、固有電気抵抗値 $10^9\ \Omega\text{cm}$ 以上かつ誘電率 3.5 以下の

の非水溶媒中に、少なくとも着色粒子を分散したものである請求項 3 3 に記載のインクジェット式印刷方法。

3 5 . 画像データの信号に基づき静電界を利用して複数の吐出チャンネルを有する記録ヘッドから油性インクを吐出させるインクジェット描画装置により印刷媒体上に直接画像を形成する画像形成手段を備えた印刷装置において、

該印刷媒体上への画像の形成を、吐出チャンネル間隔が $170\mu\text{m}$ 以上[描画画像の解像度の換算で 150dpi (1 インチ当たり 150 ドットの間隔) 以下]である記録ヘッドで行うことを特徴とする印刷装置。

3 6 . 前記油性インクが、固有電気抵抗値 $10^9 \Omega \text{cm}$ 以上かつ誘電率 3 . 5 以下の非水溶媒中に、少なくとも着色粒子を分散したものである請求項 3 5 に記載の印刷装置。

3 7 . 前記画像形成手段は、前記インクの定着装置を備えたことを特徴とする請求項 3 5 又は請求項 3 6 記載の印刷装置。

3 8 . 前記印刷媒体への印刷前及び/又は印刷中に、前記印刷媒体表面に存在する埃を除去する埃除去手段を有する請求項 3 5 乃至 3 7 に記載の印刷装置。

3 9 . 前記印刷媒体への描画時に、前記印刷媒体を介して、前記記録ヘッドと対向する位置に配置された対向ドラムを回転させて前記印刷媒体を移動させることにより描画を行う請求項 3 5 乃至 3 8 の何れか 1 項に記載の印刷装置。

4 0 . 前記記録ヘッドを対向ドラムの軸方向に移動する事により描画を行う請求項 3 9 に記載の印刷装置。

4 1 . 前記印刷媒体への描画時に、少なくとも一対のキャプスタンローラにより前記印刷媒体を挟持して走行させることにより、描画を行う請求項 3 5 乃至 3 8 の何れか 1 項に記載の印刷装置。

4 2 . 前記記録ヘッドを、前記印刷媒体の走行方向と直交する方向に移動する事により描画を行う請求項 4 1 に記載の印刷装置。

4 3 . 前記インクジェット描画装置が、前記記録ヘッドに前記油性インクを供給するインク供給手段を有する請求項 3 5 乃至 4 2 の何れか 1 項に記載の印刷装置。

4 4 . 前記記録ヘッドから前記油性インクを回収するインク回収手段を有し、

インク循環を行う請求項 4 3 に記載の印刷装置。

4 5 . 前記インクジェット描画装置が、前記油性インクを格納するインクタンク内の前記油性インクを攪拌する攪拌手段を有する請求項 3 5 乃至 4 4 のいずれか 1 項に記載の印刷装置。

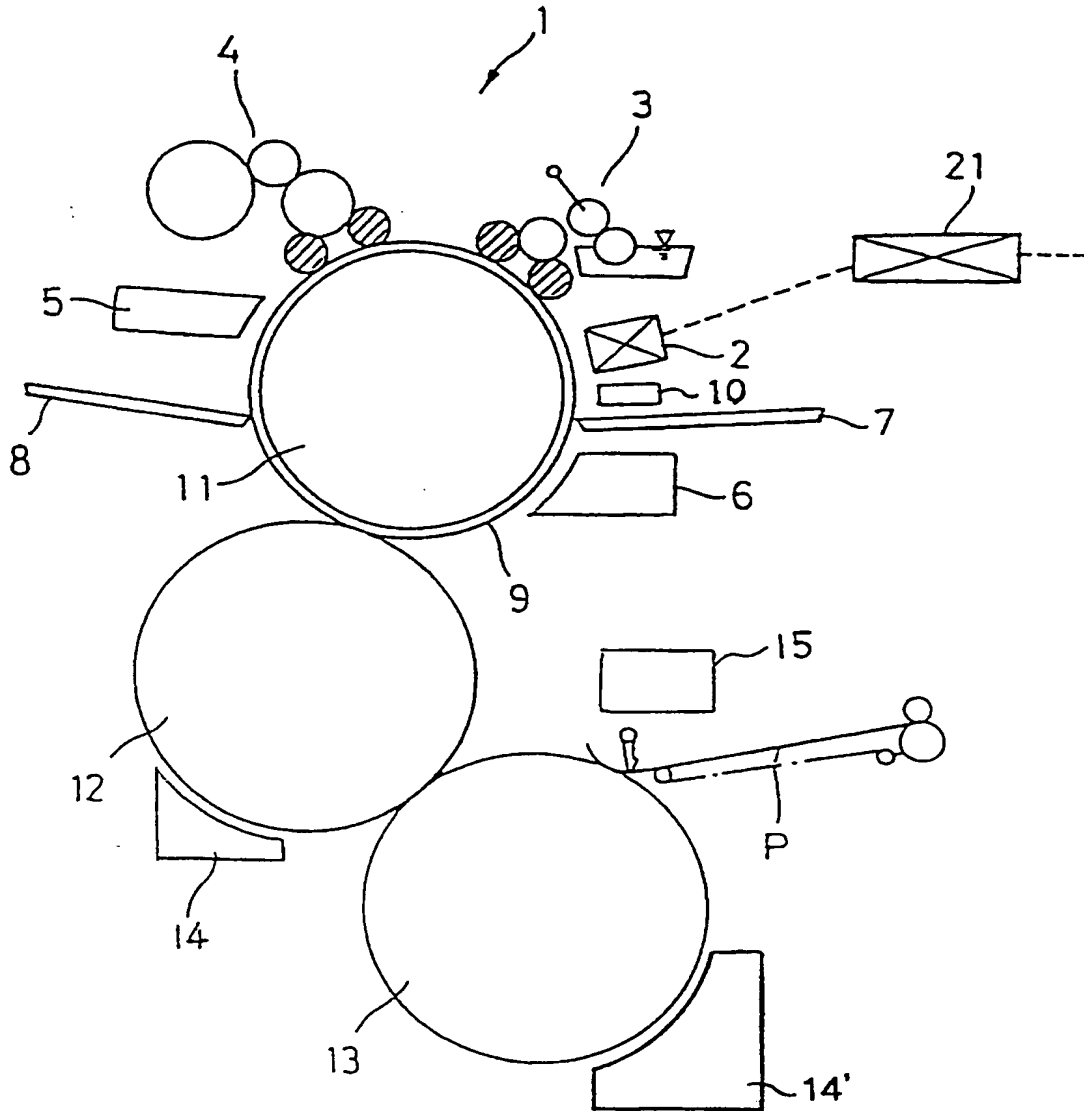
5 4 6 . 前記インクジェット描画装置が、前記油性インクを格納するインクタンク内の前記油性インクの温度を管理するインク温度管理手段を有する請求項 3 5 乃至 4 5 の何れか 1 項に記載の印刷装置。

4 7 . 前記インクジェット描画装置が、前記油性インクの濃度を制御するインク濃度制御手段を有する請求項 3 5 乃至 4 6 の何れか 1 項に記載の印刷装置。

10 4 8 . 前記記録ヘッドをクリーニングするクリーニング手段を有する請求項 3 5 乃至 4 7 の何れか 1 項に記載の印刷装置。

THIS PAGE BLANK (USPTO)

図 1



THIS PAGE BLANK (USPTO)

図 2

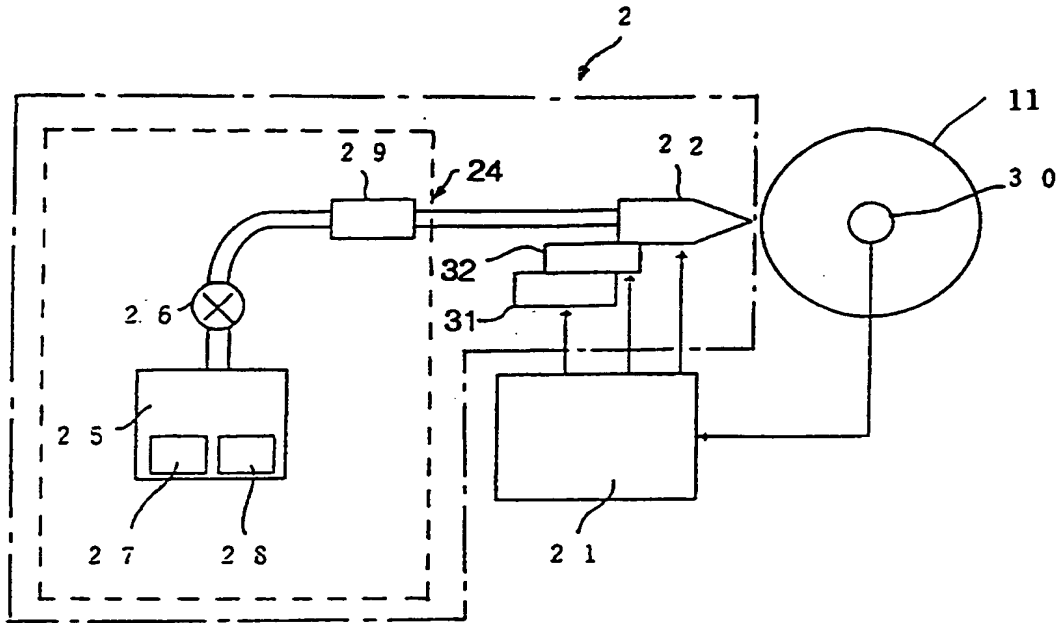
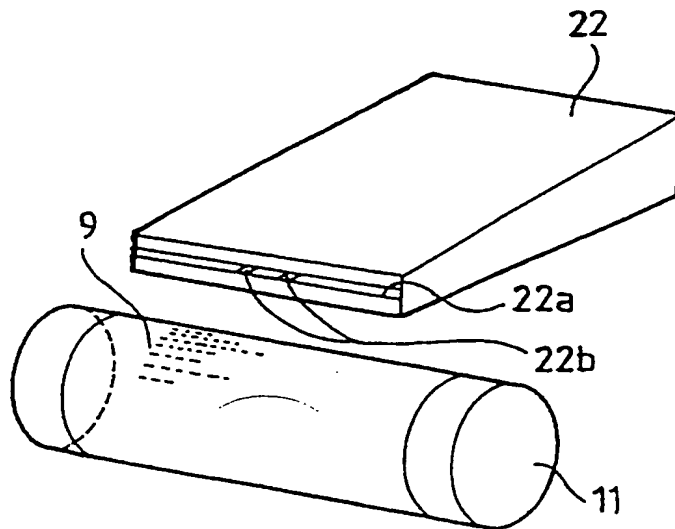


図 3



THIS PAGE BLANK (USPTO)

図 4

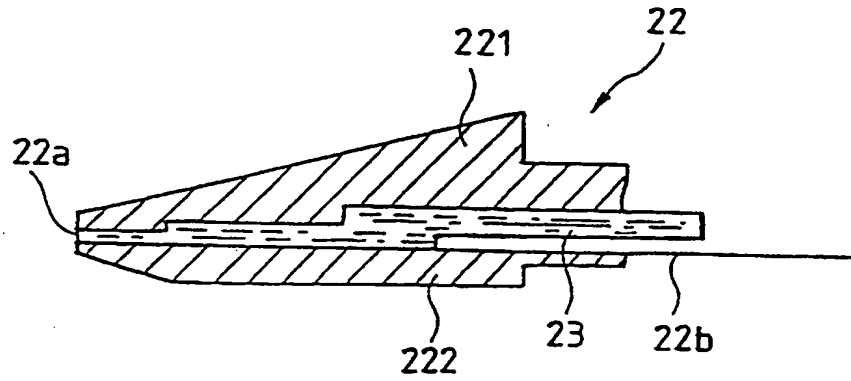


図 5

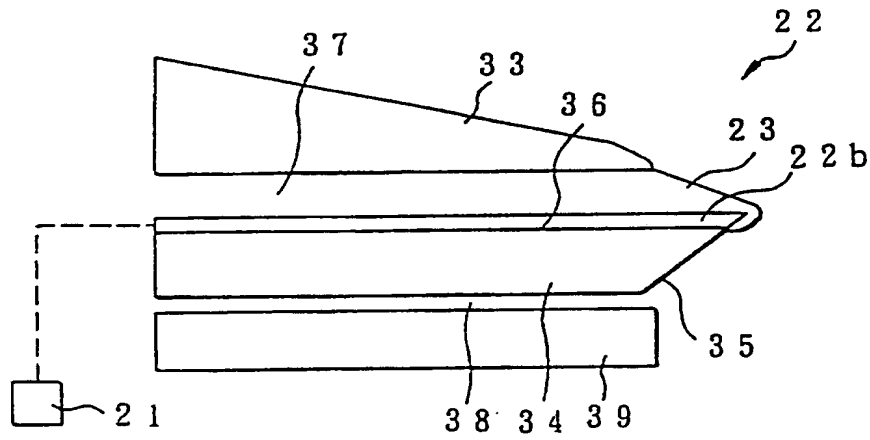
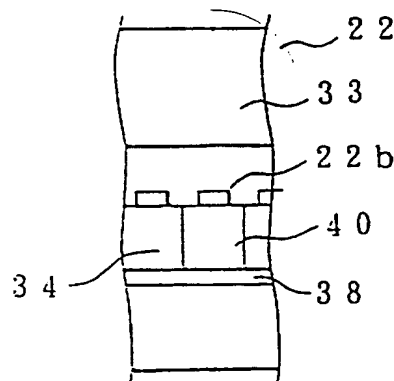


図 6



THIS PAGE BLANK (USPTO)

図 7

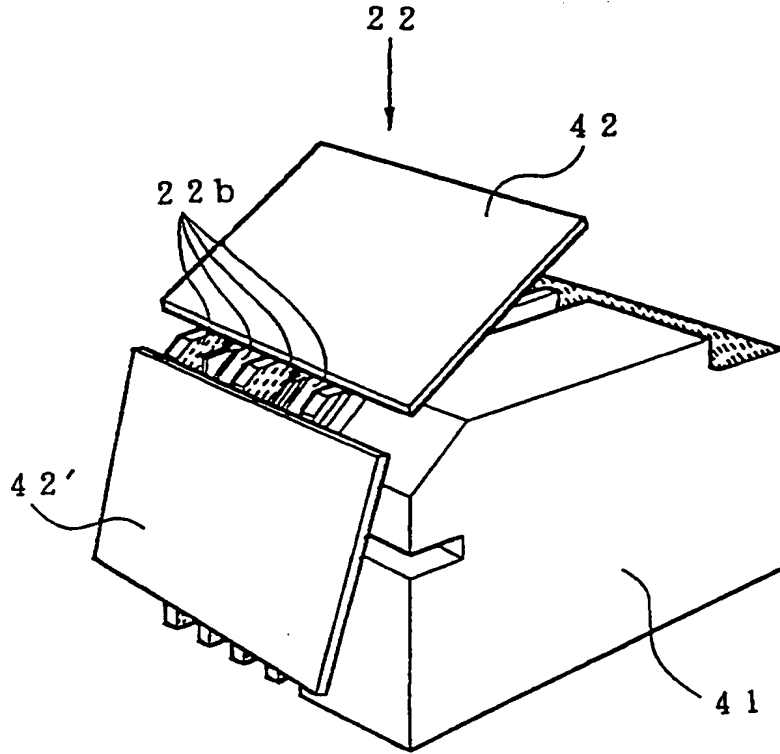
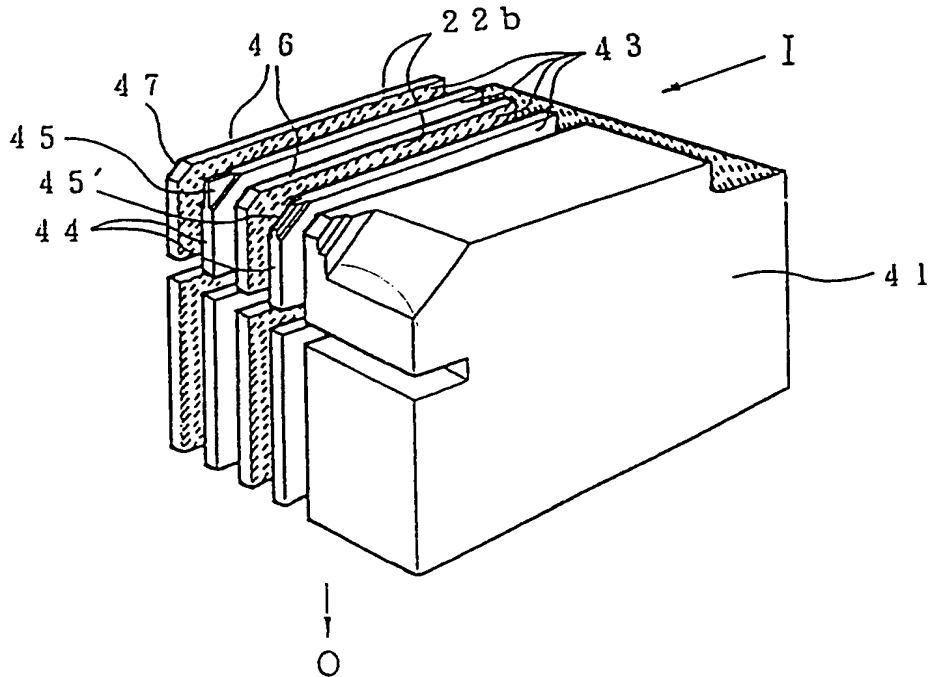
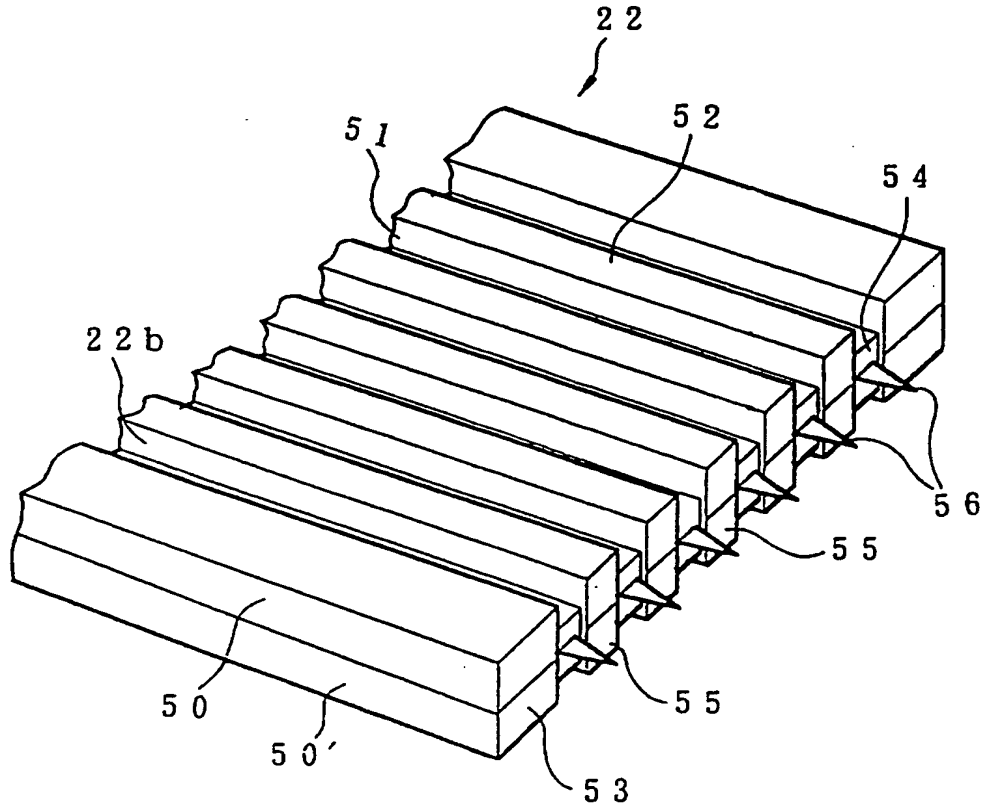


図 8



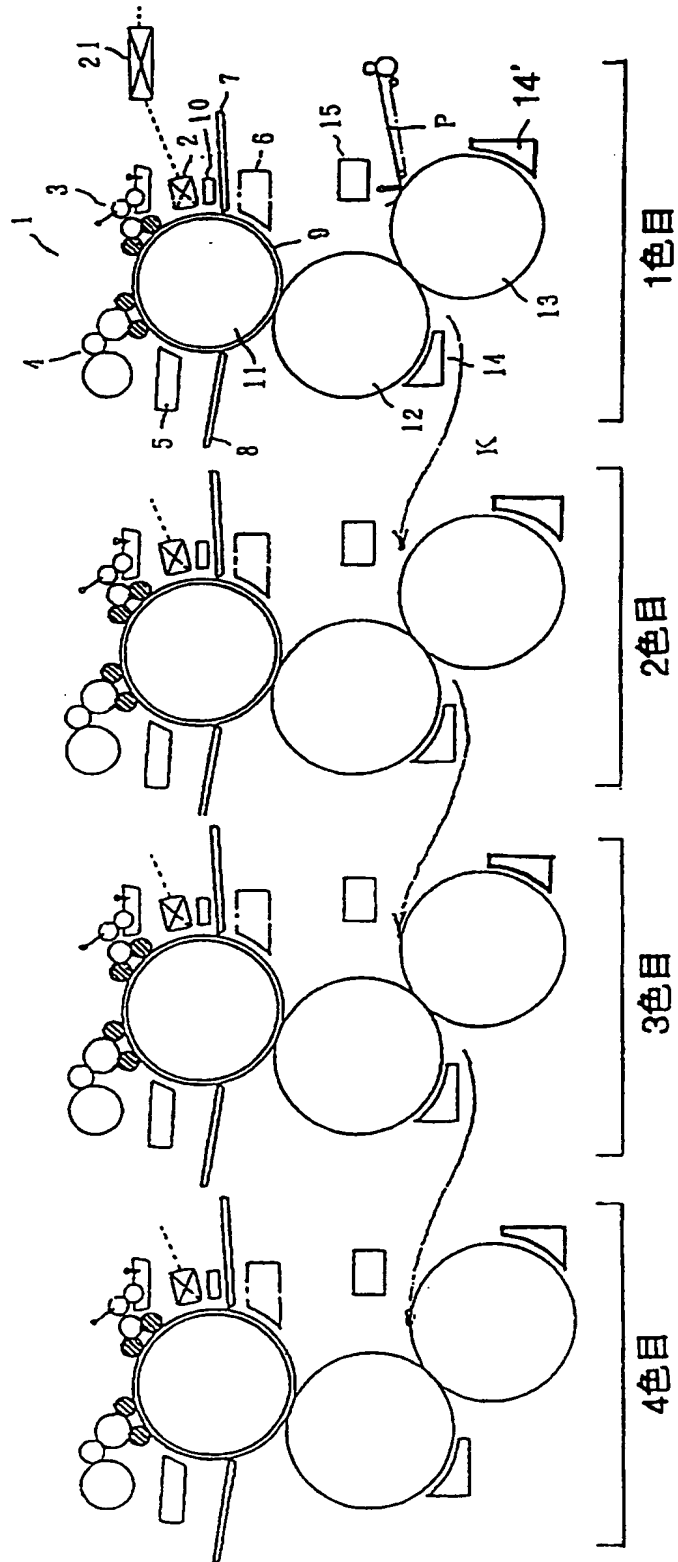
THIS PAGE BLANK (USPTO)

☒ 9



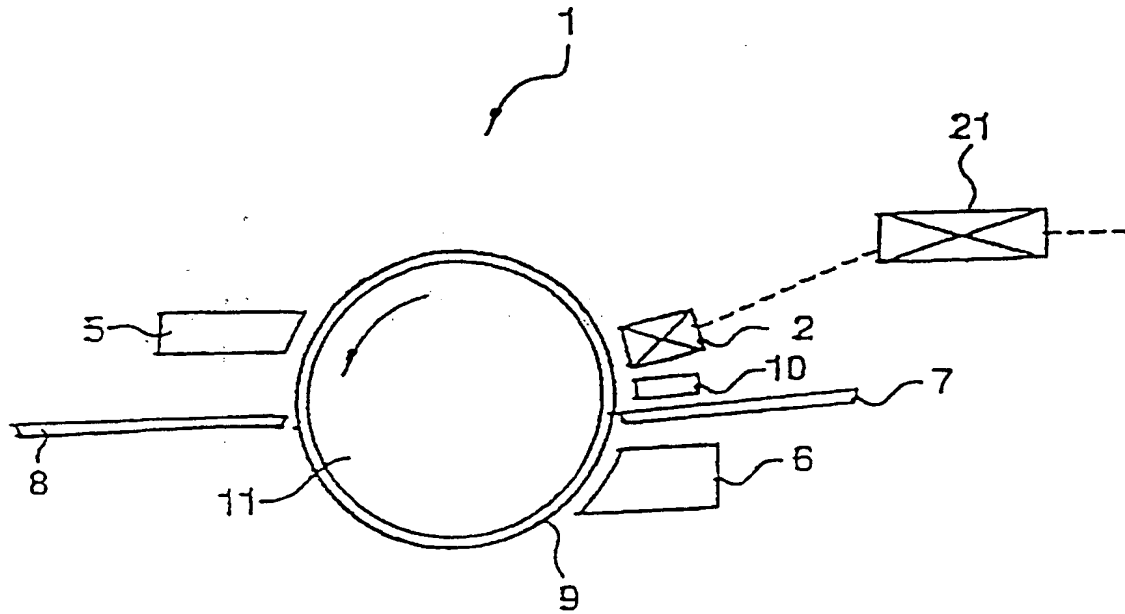
THIS PAGE BLANK (USPTO)

図 10

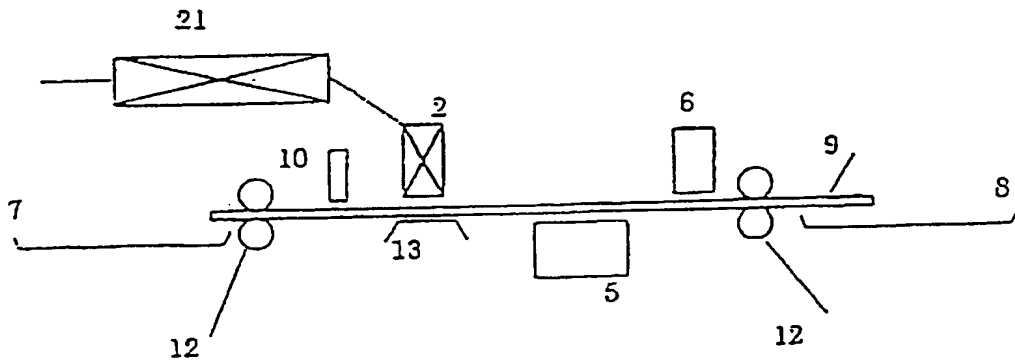


THIS PAGE BLANK (USPTO)

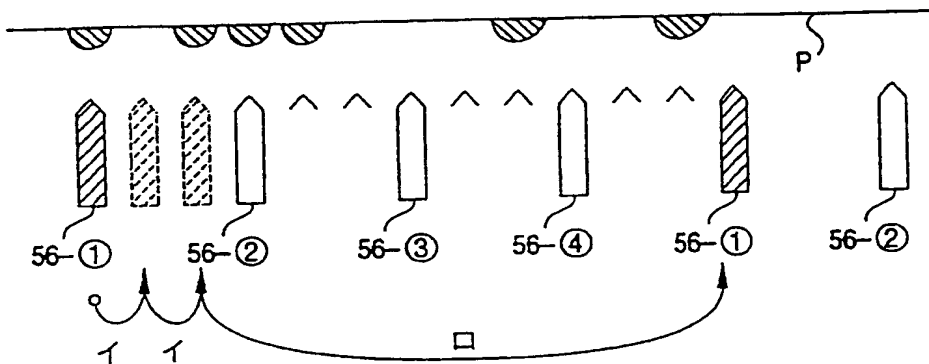
☒ 11A



☒ 11B



☒ 11C



THIS PAGE BLANK (USPTO)

图 1 2

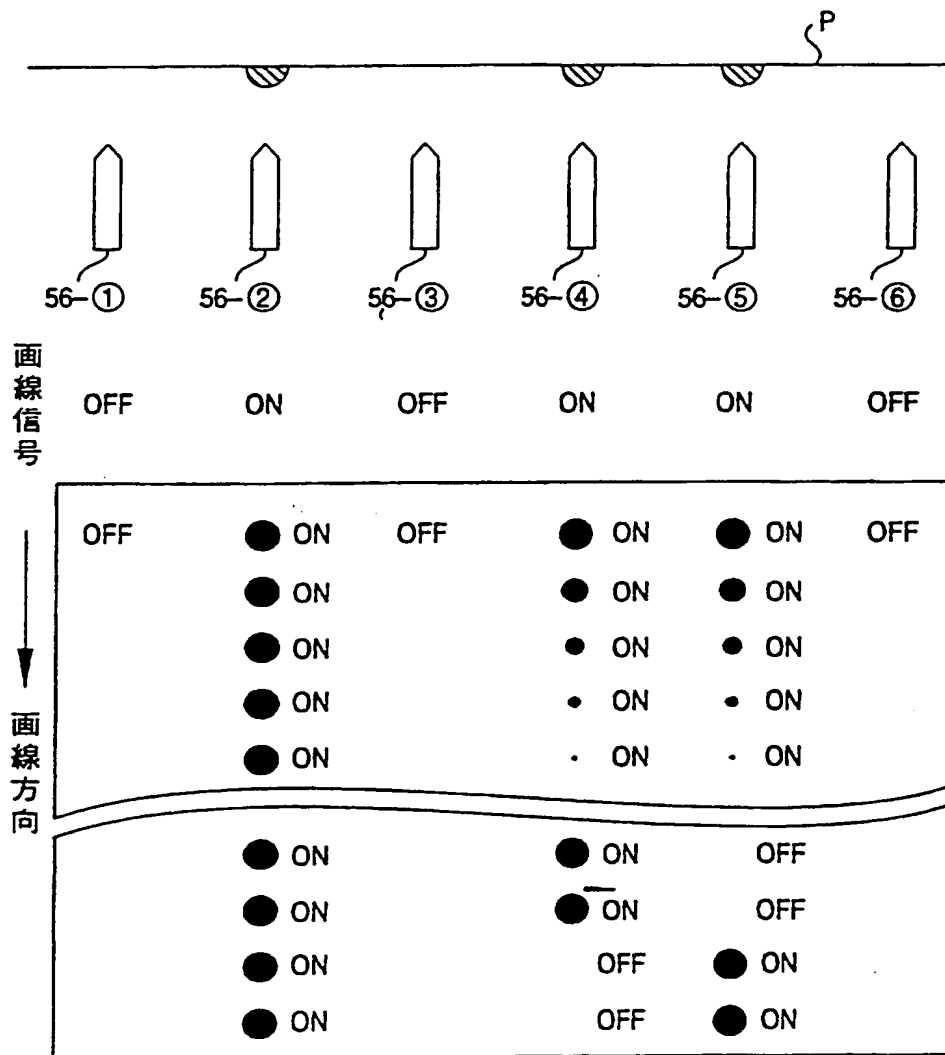
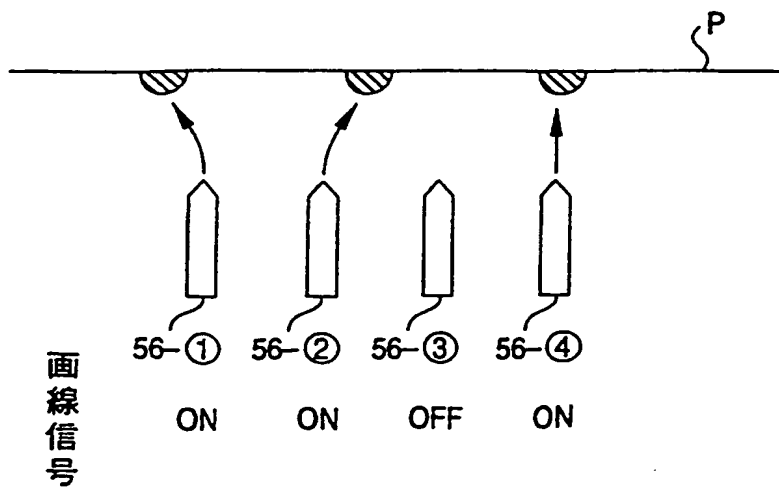


图 1 3



THIS PAGE BLANK (USPTO)

図 14

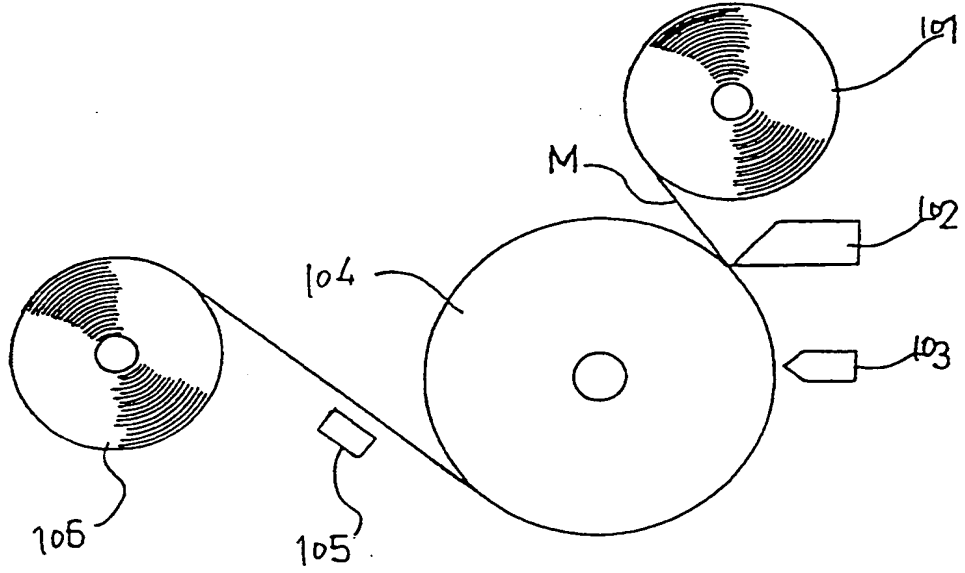
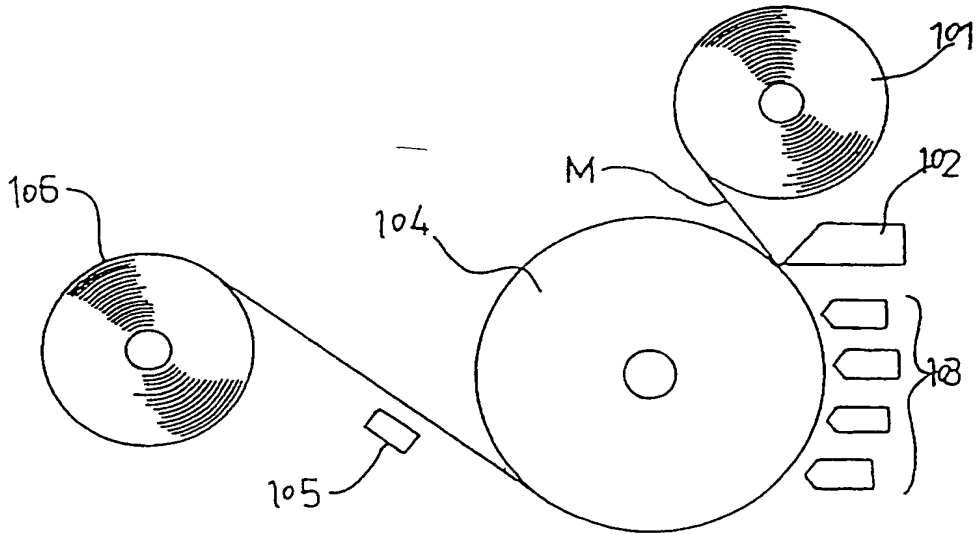


図 15



THIS PAGE BLANK (USPTO)

図 16

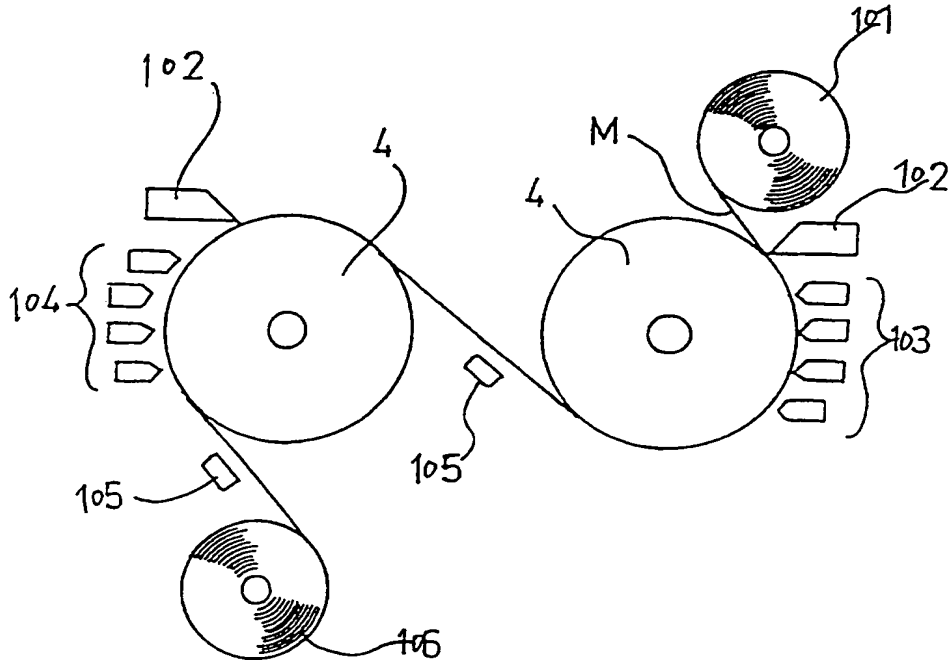
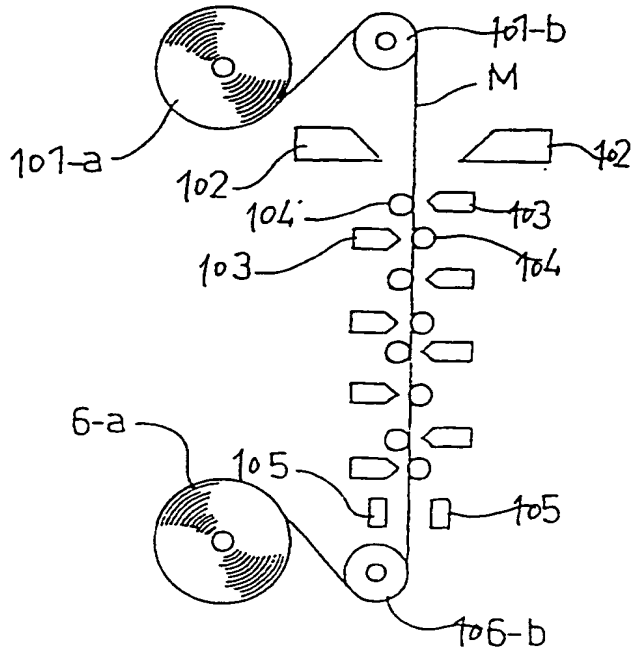


図 17



THIS PAGE BLANK (USPTO)

図 18

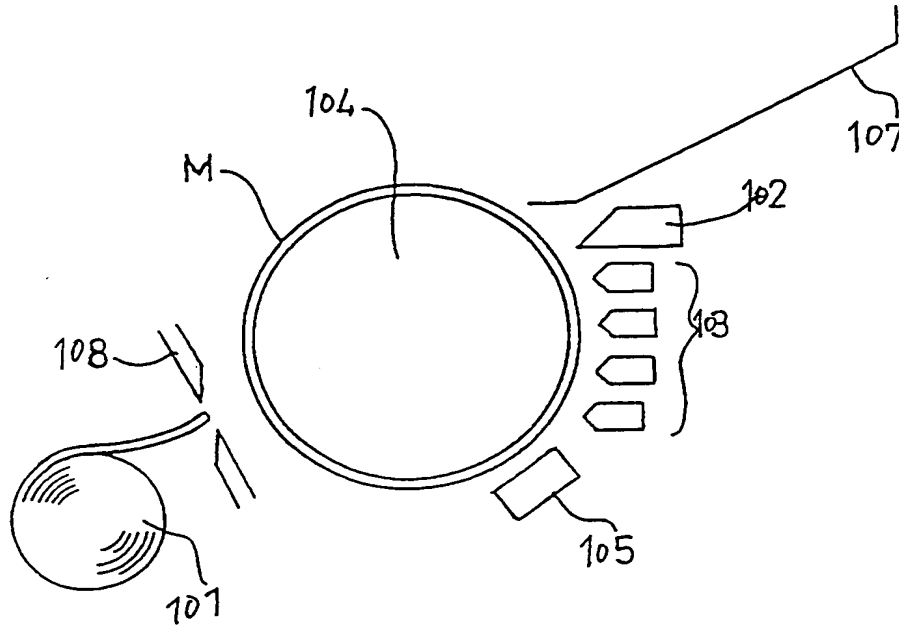
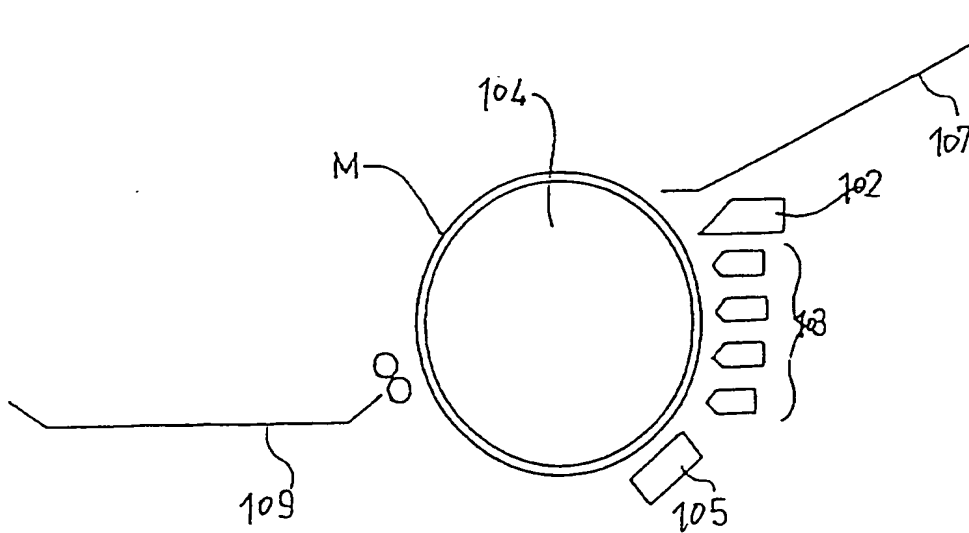


図 19



THIS PAGE BLANK (USPTO)

図 20

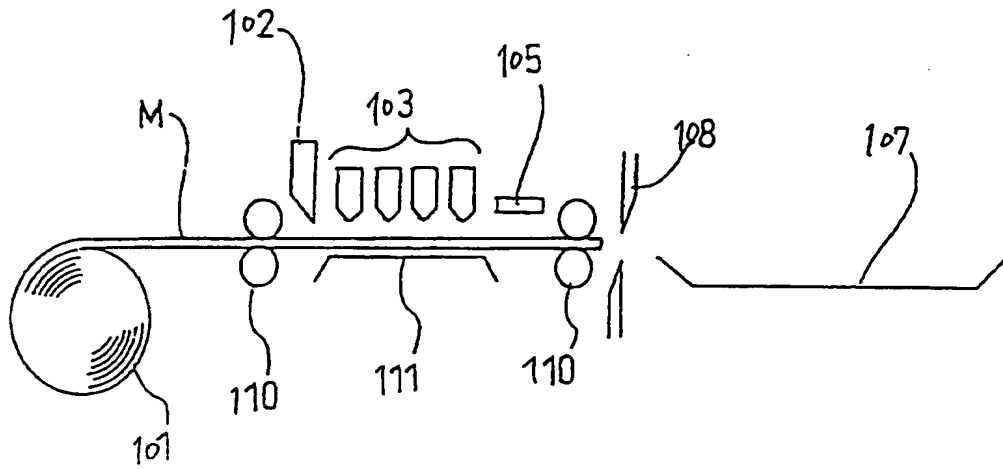
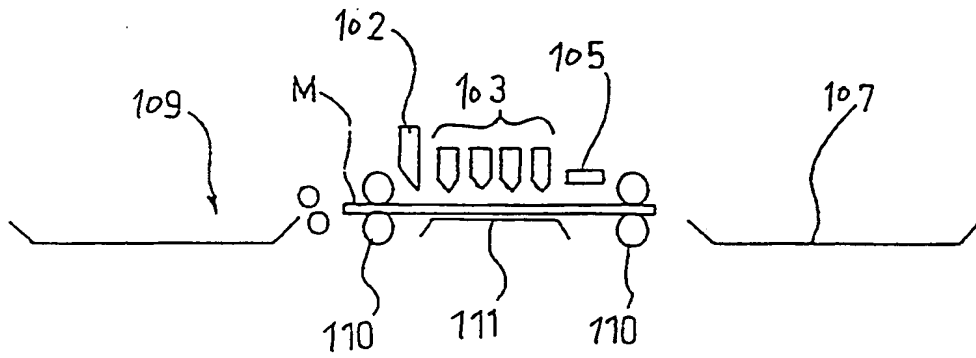


図 21



THIS PAGE BLANK (USPTO)

INTERNATIONAL SEARCH REPORT

International Application No.

PCT/JP00/03493

A. CLASSIFICATION OF SUBJECT MATTER
Int.Cl.⁷ B41C1/10, B41J2/06

According to International Patent Classification (IPC) or to both national classification and IPC

B. FIELDS SEARCHED

Minimum documentation searched (classification system followed by classification symbols)

Int.Cl.⁷ B41C1/00-1/14, B41F7/02, B41F23/00,
B41J2/01-2/18

Documentation searched other than minimum documentation to the extent that such documents are included in the fields searched
Jitsuyo Shinan Koho 1922-1996 Toroku Jitsuyo Shinan Koho 1994-2000
Kokai Jitsuyo Shinan Koho 1971-2000 Jitsuyo Shinan Toroku Koho 1996-2000

Electronic data base consulted during the international search (name of data base and, where practicable, search terms used)

C. DOCUMENTS CONSIDERED TO BE RELEVANT

Category*	Citation of document, with indication, where appropriate, of the relevant passages	Relevant to claim No.
Y	JP, 4-43036, A (Sumitomo Heavy Industries, Ltd.), 13 February, 1992 (13.02.92), page 2, upper right column, line 2 to page 2, lower right column, line 9; Fig. 2 (Family: none)	1-48
Y	JP, 10-202822, A (Fuji Photo Film Co., Ltd.), 04 August, 1998 (04.08.98), Par. Nos. [0095], [0128]; Figs. 1 to 3 (Family: none)	1-48
Y	JP, 4-69245, A (Konica Corporation), 04 March, 1992 (04.03.92), page 1, lower left column, lines 5 to 11 (Family: none)	5, 21, 37
Y	JP, 3-241361, A (Konica Corporation), 28 October, 1991 (28.10.91), page 2, upper right column, line 11 to page 2, lower left column, line 10; Fig. 1 (Family: none)	6, 22, 38
Y	EP, 847859, A2 (NEC CORPORATION), 17 June, 1998 (17.06.98), Column 10, lines 46 to 56; Figs. 14 to 18	10, 28, 44

Further documents are listed in the continuation of Box C. See patent family annex.

* Special categories of cited documents:	"T" later document published after the international filing date or priority date and not in conflict with the application but cited to understand the principle or theory underlying the invention
"A" document defining the general state of the art which is not considered to be of particular relevance	"X" document of particular relevance; the claimed invention cannot be considered novel or cannot be considered to involve an inventive step when the document is taken alone
"E" earlier document but published on or after the international filing date	"Y" document of particular relevance; the claimed invention cannot be considered to involve an inventive step when the document is combined with one or more other such documents, such combination being obvious to a person skilled in the art
"L" document which may throw doubts on priority claim(s) or which is cited to establish the publication date of another citation or other special reason (as specified)	"&" document member of the same patent family
"O" document referring to an oral disclosure, use, exhibition or other means	
"P" document published prior to the international filing date but later than the priority date claimed	

Date of the actual completion of the international search
23 August, 2000 (23.08.00)

Date of mailing of the international search report
05 September, 2000 (05.09.00)

Name and mailing address of the ISA/
Japanese Patent Office

Authorized officer

Facsimile No.

Telephone No.

INTERNATIONAL SEARCH REPORT

International application No.

PCT/JP00/03493

C (Continuation). DOCUMENTS CONSIDERED TO BE RELEVANT

Category*	Citation of document, with indication, where appropriate, of the relevant passages	Relevant to claim No.
	& JP, 10-166590, A	
Y	JP, 60-110458, A (Hitachi, Ltd.), 15 June, 1985 (15.06.85), page 2, upper right column, line 14 to page 2, lower left column, line 11; Fig. 4 (Family: none)	11,29,45
Y	JP, 4-307258, A (Matsushita Electric Ind. Co., Ltd.), 29 October, 1992 (29.10.92), Column 3, lines 7 to 24; Figs. 1 to 3 (Family: none)	12,30,46
Y	JP, 10-157161, A (Canon Inc.), 16 June, 1998 (16.06.98), Par. Nos. [0038]-[0039]; Figs. 1 to 9 (Family: none)	13,31,47
Y	JP, 3-183555, A (Canon Inc.), 09 August, 1991 (09.08.91), page 3, upper left column, line 20 to page 3, lower left column, line 15; Fig. 2 (Family: none)	14
Y	JP, 2-95862, A (Canon Inc.), 06 April, 1990 (06.04.90), page 2, lower right column, line 13 to page 3, upper left column, line 20; Figs. 1 to 4 (Family: none)	15,32,48
Y	Microfilm of the specification and drawings annexed to the request of Japanese Utility Model Application No.2405/1991 (Laid-open No.96343/1992) (Mitsubishi Heavy Industries, Ltd.), 20 August, 1992 (20.08.92), Full text; Figs. 1 to 10 (Family: none)	16
Y	JP, 5-269958, A (Olympus Optical Company Limited), 19 October, 1993 (19.10.93), Par. Nos. [0036]-[0041]; Fig. 5 (Family: none)	25-26,41-42
A	JP, 4-97848, A (Mitsubishi Heavy Industries, Ltd.), 30 March, 1992 (30.03.92), Full text; Figs. 1-2 (Family: none)	1-48
A	JP, 62-19463, A (Seiko Epson Corporation), 28 January, 1987 (28.01.87), page 2, lower right column, line 1 to page 3, upper left column, line 1; Figs. 1-4 (Family: none)	1-48

A. 発明の属する分野の分類 (国際特許分類 (IPC))
 Int. Cl⁷ B41C1/10, B41J2/06

B. 調査を行った分野
 調査を行った最小限資料 (国際特許分類 (IPC))
 Int. Cl⁷ B41C1/00-1/14, B41F7/02, B41F23/00,
 B41J2/01-2/18

最小限資料以外の資料で調査を行った分野に含まれるもの
 日本国実用新案公報 1922-1996年
 日本国公開実用新案公報 1971-2000年
 日本国登録実用新案公報 1994-2000年
 日本国実用新案登録公報 1996-2000年

国際調査で使用した電子データベース (データベースの名称、調査に使用した用語)

C. 関連すると認められる文献		
引用文献の カテゴリー*	引用文献名 及び一部の箇所が関連するときは、その関連する箇所の表示	関連する 請求の範囲の番号
Y	JP, 4-43036, A (住友重機械工業株式会社) 13. 2月. 1992 (13. 02. 92) 第2頁右上欄第2行~同頁右下欄第9行、第2図 (ファミリーなし)	1-48
Y	JP, 10-202822, A (富士写真フイルム株式会社) 4. 8月. 1998 (04. 08. 98) 段落番号【0095】、【0128】、第1-3図 (ファミリーなし)	1-48

C欄の続きにも文献が列挙されている。 パテントファミリーに関する別紙を参照。

* 引用文献のカテゴリー
 「A」 特に関連のある文献ではなく、一般的技術水準を示すもの
 「E」 国際出願日前の出願または特許であるが、国際出願日以後に公表されたもの
 「L」 優先権主張に疑義を提起する文献又は他の文献の発行日若しくは他の特別な理由を確立するために引用する文献 (理由を付す)
 「O」 口頭による開示、使用、展示等に言及する文献
 「P」 国際出願日前で、かつ優先権の主張の基礎となる出願日の後に公表された文献
 「T」 国際出願日又は優先日後に公表された文献であって出願と矛盾するものではなく、発明の原理又は理論の理解のために引用するもの
 「X」 特に関連のある文献であって、当該文献のみで発明の新規性又は進歩性がないと考えられるもの
 「Y」 特に関連のある文献であって、当該文献と他の1以上の文献との、当業者にとって自明である組合せによって進歩性がないと考えられるもの
 「&」 同一パテントファミリー文献

国際調査を完了した日 23. 08. 00 国際調査報告の発送日 05.09.00

国際調査機関の名称及びあて先 日本国特許庁 (ISA/JP) 郵便番号100-8915 東京都千代田区霞が関三丁目4番3号	特許庁審査官 (権限のある職員) 中村 圭伸 印	2P 9020
電話番号 03-3581-1101 内線 3261		

C (続き) . 関連すると認められる文献		
引用文献の カテゴリー*	引用文献名 及び一部の箇所が関連するときは、その関連する箇所の表示	関連する 請求の範囲の番号
Y	J P, 4-69245, A (コニカ株式会社) 4. 3月. 1992 (04. 03. 92) 第1頁左下欄第5行~第11行 (ファミリーなし)	5, 21, 37
Y	J P, 3-241361, A (コニカ株式会社) 28. 10月. 1991 (28. 10. 91) 第2頁右上欄第11行~同頁左下欄第10行, 第1図 (ファミリーなし)	6, 22, 38
Y	EP, 847859, A2 (NEC CORPORATION) 17. 6月. 1998 (17. 06. 98) 第10欄第46行~第56行, 第14-18図 & J P, 10-166590, A	10, 28, 44
Y	J P, 60-110458, A (株式会社日立製作所) 15. 6月. 1985 (15. 06. 85) 第2頁右上欄第14行~同頁左下欄第11行, 第4図 (ファミリーなし)	11, 29, 45
Y	J P, 4-307258, A (松下電器産業株式会社) 29. 10月. 1992 (29. 10. 92) 第3欄第7行~第24行, 第1-3図, (ファミリーなし)	12, 30, 46
Y	J P, 10-157161, A (キヤノン株式会社) 16. 6月. 1998 (16. 06. 98) 段落番号【0038】-【0039】, 第1-9図 (ファミリーなし)	13, 31, 47
Y	J P, 3-183555, A (キヤノン株式会社) 9. 8月. 1991 (09. 08. 91) 第3頁左上欄第20行~同頁左下欄第15行, 第2図 (ファミリーなし)	14
Y	J P, 2-95862, A (キヤノン株式会社) 6. 4月. 1990 (06. 04. 90) 第2頁右下欄第13行~第3頁左上欄第20行, 第1-4図 (ファミリーなし)	15, 32, 48
Y	日本国実用新案登録出願3-2405号 (日本国実用新案登録出願 公開4-96343) の願書に添付した明細書及び図面の内容を撮 影したマイクロフィルム (三菱重工業株式会社) 20. 8月. 1992 (20. 08. 92) 全文, 第1-10図 (ファミリーなし)	16

C (続き) . 関連すると認められる文献		
引用文献の カテゴリー*	引用文献名 及び一部の箇所が関連するときは、その関連する箇所の表示	関連する 請求の範囲の番号
Y	JP, 5-269958, A (オリンパス光学工業株式会社) 19. 10月. 1993 (19. 10. 93) 段落番号【0036】 - 【0041】, 第5図 (ファミリーなし)	25-26, 41-42
A	JP, 4-97848, A (三菱重工業株式会社) 30. 3月. 1992 (30. 03. 92) 全文, 第1-2図 (ファミリーなし)	1-48
A	JP, 62-19463, A (セイコーエプソン株式会社) 28. 01月. 1987 (28. 01. 87) 第2頁右下欄第1行~第3頁左上欄第1行, 第1-4図 (ファミリーなし)	1-48

THIS PAGE BLANK (USPTO)